



TOWN OF WESTERLY / WESTERLY PUBLIC SCHOOLS



REQUEST FOR QUOTATION

Westerly Rec. Dept. & School Field Lighting Projects

RFQ Number: 2021 – 071

December 29, 2021

The Town of Westerly/Westerly Schools (Town), Westerly, RI, acting through its Purchasing Agent, is hereby soliciting sealed bids for the above referenced RFQ and you are hereby invited to submit a Lump Sum Proposal for the Scope of Work described in this Request for Quotation, in strict accordance with the Bid Documents.

TERMS AND CONDITIONS

Bids shall be based on the Terms and Conditions as referenced in this Request for Quotation.

BID DUE DATE/SUBMITTING INSTRUCTIONS

BIDS ARE DUE and **MUST BE SUBMITTED** on the attached **BID FORM, Attachments B, NO LATER THAN 2:00 p.m., EST, Thursday, January 20, 2022.** A Bid submitted on other than the attached BID BREAKDOWN FORM may be rejected. Envelopes containing bids **must be** sealed and addressed to the undersigned, at the Purchasing Department 2nd Floor office, Westerly Town Hall, 45 Broad St., Westerly, RI 02891 and must be clearly marked with the Name and Address of Bidder, Bid Due Date and Time, and RFQ Number and Title. Bidders must include one original, one copy and a Digital for Public Use (soft) copy on CD or flash drive of the Bid as defined in the Instruction to Bidders.

BIDDER'S QUESTIONS

Questions regarding this solicitation must be emailed and received by the Purchasing Agent at mbednarski@westerlyri.gov no later than **1/14/2022, 12:00PM**, in a Microsoft Word attachment with the corresponding solicitation number. Questions, if any, and responses will be posted on the Town of Westerly website at www.westerlyri.gov as an addendum to this solicitation. Bidders are responsible for checking the Town's website for all addenda distributed in response to questions and requests for additional information.

SPECIAL INSTRUCTIONS TO BIDDERS

1. Bidder shall base the Proposal on providing all materials and equipment, FOB jobsite.
2. Bid Price which exceed \$50,000 must include a 5% Bid Bond and cost of Payment and Performance **Bonds**. The successful Bidder will be required to post a 100% Payment and Performance Bond.
3. Bidders shall note if their bid is based on **Prevailing Wage** (RIGL Sec 37-13-1 et seq.). The successful bidder and its subcontractors, according to the law, must pay their workers at the applicable prevailing wage rates (adjusted every July 1) for the various trades on a weekly basis and submit certified weekly payroll as described in the Instructions to Bidders. Prevailing wage rate schedules are available at the Rhode Island Department of Labor and Training website at www.dlt.ri.gov.
4. Bidder's prices shall include all **Permits/Fees**.
5. Quotes must be **firm for a minimum of 120 days** from date of submission.
6. **Field Visits** – Bidders shall confirm field measurements as part of the bidding process. Bidders must satisfy themselves, by personal examination of the location of the proposed work, and by such other means as they may prefer as to the actual conditions and requirements of the work, and inform themselves fully of the conditions relating to construction and labor under which the work will be or is now



TOWN OF WESTERLY / WESTERLY PUBLIC SCHOOLS



being performed, and this Contractor must employ, so far as possible, such methods and means in the carrying out of his work as will not cause any interruption or interference with any other contractor and a minimum of inconvenience and injury to other persons and property. All field visits must be coordinated with the Town/School point of contact within 48 hours from all site visits.

For School Augeri Field Site Visits contact John Pagano at 401-326-5292 and for the Town Field contact Julia Beasley at 401-741-0491.

7. Bid Completeness - Pricing submitted on this project must be an all-inclusive price. The intent of an all-inclusive Price is such that no Adds, or Change Orders will be necessary.
8. If the Bidder submits a supporting/additional document with their bid, that document must include page numbers.
9. This project is Tax exempt for Rhode Island Sales Tax and Federal Excise Taxes.

RFQ BID DOCUMENTS

Attachment A – Scope of Work/ Project Schedule, Pages 1 through 6

Attachment B – Bid Form Page 1 through 3

Attachment C – Instruction to Bidders Pages 1 through 6

APPENDIX A - Bidder Certification Page 1 through 4

Agreement – Westerly Standard Agreement Pages 1 through 8

By submitting a quote, the successful bidder agrees that the terms and conditions shall be in accordance with the terms and conditions of this Agreement document, unless noted otherwise on Attachment B at time of bid submission.

BIDDER CERTIFICATION and DISCLOSURE FORM: Bidders must include, complete, sign and submit a Bidder Certification Form with each bid proposal. See **APPENDIX A**.

This solicitation is available at www.westerlyri.gov.

The Town of Westerly/Westerly Schools reserves the right to reject any/all bids, waive any informalities in the bids received and to accept and award the bid to the lowest evaluated bid deemed most favorable to the interest of the Town/School.

The Town/School does not discriminate based on age, color, gender, national origin, race, religion, sexual orientation, or disability in accordance with applicable laws and regulations

Regards,

Mark Bednarski

Purchasing/Risk Manager

Town of Westerly/ Westerly Public Schools

45 Broad Street

Westerly, RI 02891

Tel: (401) 348-2599

Email: mbednarski@westerlyri.gov

www.WesterlyRI.gov



ATTACHMENT "A"
SCOPE OF WORK
(And Project Schedule)

Westerly Rec Lighting Projects

RFQ 2021 – 071

SCOPE OF WORK

1. Description of Scope

The Successful Bidder will be responsible for the completion of the following work scope items:

Augeri Field - Furnish and Install Field Lighting Towers and Fixtures

Scope of Work

The project shall consist of the replacing Four (4) 10 Lamp (1500W each) Pole Top Lighting Systems including new light towers, controls and control wiring at Augeri Field, 23 Ward Avenue, Westerly R.I. The new towers and fixtures installation may be coordinated with an awarded Electrical Contractor who will perform the demolition and primary power supply conduit, cabling and terminations per the awarded Lighting System Contractors recommendations. The Lighting project shall include but is not limited to the following.

- Furnish and install the necessary lighting fixtures with guaranteed light levels of 30 foot-candles at field of play, required lighting towers, control conduit, control panels, control wiring, programming, and grounding as needed to comply with the N.E.C, Rhode Island Interscholastic League, State, and Local Authorities
- Install any required lightning arrestor systems
- Work with Owner to secure energy reimbursements from the Utility Company
- Erect and aim sports lighting equipment per instructions provided by manufacturer.
- SPORTS LIGHTING SYSTEM CONSTRUCTION- Musco Light-Structure System with Total Light Control-TLC for LED Technology **OR EQUIVALENT**
 - All components shall be designed and manufactured as a system. All luminaires, wire harnesses, drivers and other enclosures shall be factory assembled, aimed, wired and tested.
 - Durability: All exposed components shall be constructed of corrosion resistant material and/or coated to help prevent corrosion. All exposed carbon steel shall be hot dip galvanized per ASTM A123. All exposed aluminum shall be powder coated with high performance polyester or anodized. All exterior reflective inserts shall be anodized, coated, and protected from direct environmental exposure to prevent reflective degradation or corrosion. All exposed hardware and fasteners shall be stainless steel of 18-8 grade or better. Lighting system must be certified for wet locations.
 - Wiring shall be enclosed within cross-arms, pole, or electrical component enclosures. No external wiring permitted
 - Must have required surge protection.
 - All luminaires, visors, cross-arm, and other assemblies shall withstand winds per 2015 IBC, 140 mi/h, and exposure: C.
 - All system components shall be UL listed for the appropriate application.



TOWN OF WESTERLY / WESTERLY PUBLIC SCHOOLS



- Lighting System

Pole / Fixture Summary						
Pole ID	Pole Height	Wing Height	Fixture Qty	Luminaire Type	Load	Circuit
F1-F4	80'	80'	5	TLC-LED-1500	7.15 kW	A
		16'	2	TLC-BT-575	1.15 kW	A
4			28		33.20 kW	

Circuit Summary			
Circuit	Description	Load	Fixture Qty
A	Field	33.2 kW	28

Fixture Type Summary							
Type	Source	Wattage	Lumens	L90	L80	L70	Quantity
TLC-BT-575	LED 5700K - 75 CRI	575W	52,000	>120,000	>120,000	>120,000	8
TLC-LED-1500	LED 5700K - 75 CRI	1430 W	160,000	>120,000	>120,000	>120,000	20

- Light Level Summary

Calculation Grid Summary									
Grid Name	Calculation Metric	Illumination					Circuits	Fixture Qty	
		Ave	Min	Max	Min	Max			
Football	Horizontal Illuminance	31.8	25	38	1.54	1.27	A	28	
Home Bleachers	Horizontal	5.6	3	8	2.51	1.82	A	28	
Soccer	Horizontal Illuminance	31.8	25	38	1.55	1.27	A	28	
Spill Candela	Max Candela (by Fixture)	4414	312	6999	22.47	14.17	A	28	
Track	Horizontal Illuminance	8.99	1	19	17.33	8.99	A	28	
Visitor Bleachers	Horizontal	4.77	3	7	2.46	1.59	A	28	
Zero Grid	Horizontal	2.82	0	31	0.00		A	28	

- CONTROLS
 - Control and monitoring system shall provide instant on/off capabilities and meeting the following specifications:
 - Onsite and/or remote access
 - Wireless Control for multiple users with various system permission levels
 - System notification during loss of communication to any light fixture



TOWN OF WESTERLY / WESTERLY PUBLIC SCHOOLS



- Ability to schedule recurring events at fixed times and/or dates
 - Firmware/software upgrade capable
 - Be protected from memory loss during power outages weather internally or via programming application.
- ENVIRONMENTAL LIGHT CONTROL: It is the primary goal of this project to minimize spill light to adjoining properties and glare to the players, spectators and neighbors.
 - All luminaires shall utilize spill light and glare control devices including, but not limited to, internal shields, louvers and external shields.
 - Spill Scans: Spill scans must be submitted indicating the amount of horizontal and vertical foot-candles along the specified lines. Light levels shall be taken at 30-foot intervals along the boundary line. Readings shall be taken with the meter orientation at both horizontal and aimed towards the most intense bank of lights. Illumination level shall be measured in accordance with the IESNA LM-5-04 after 1 hour warm up.
- LIGHTING PERFORMANCE
 - Lighting provided shall meet all requirements for maintaining the correct lighting level for athletic field play as designated by Rhode Island Interscholastic League. The new system shall provide even lighting over the entire playing field area and eliminate any unevenly lit areas
 - Playing surfaces shall be lit to an average target illumination level and shall be measured in accordance with the IESNA LM-5-04 (IESNA Guide for Photometric Measurements of Area and Sports Lighting Installations). Illumination levels shall not to drop below desired target values. The lighting system shall have a minimum color temperature of 5700K and a CRI of 75.
- WARRANTY
 - 25-year parts, labor and travel warranty, including LED fixtures, drivers, surge devices, wire harnesses, cross arms and lighting controls.
 - Individual luminaire outages shall be repaired when the usage of any field is materially impacted.
 - All maintenance costs shall be eliminated for the duration of the warranty.
 - Guaranteed Light Levels: Maintained Average Illuminance and shall be guaranteed for the full warranty period.

Project General Conditions

- The site is an existing football field, with a newly surfaced track and an adjacent asphalt parking lot with completed landscaping. The contractor must take all precautions to prevent damage.
- It is each bidder's responsibility to review the entire set of specifications and visit the site to determine the scope of work. This is to be a turnkey project and all bidders should include all costs necessary to complete the project.
- The awarded Contractor will be responsible for the engineering, design, and foot-candle verification.
 - The awarded Contractor shall conduct an on-site survey of the facilities determine all necessary requirements for proper installation of the LED lighting system.
- The awarded Contractor must;
 - Conduct a pre-construction meeting.
 - Provide dumpsters, portable restrooms and construction fencing as needed.
 - Provide proper active school, and safe site action plan.
 - Provide on-site supervision of all staging area, materials, and equipment.
 - Be a Licensed Contractor
 - Provide site protection
 - Repair any damage that was caused by the contractor at no additional cost.



TOWN OF WESTERLY / WESTERLY PUBLIC SCHOOLS



- Provide a detailed work schedule
- Maintain a safe and clean job site
 - Must clean the job site and all adjacent areas occupied during construction.
 - All job-related debris will be cleaned up and disposed of properly off-site.
- Provide copies of the maintenance manual
- Provide maintenance training of owner personnel

Clarifications

- existing power supply is 3 phase 208
- Concrete tower foundations are required
- Galvanized steep poles required
- No direct burial steel or concrete poles
- LED drivers must be located 10 foot above grade

Inclusions- The proposal shall include:

- Code level installation of poles, lighting system and controls
- Performance characteristics to include foot-candle verification and energy (watt) verification.
- Design drawings should be stamped by a Professional Engineer and submitted to the Westerly Building Department for a construction permit.
- Fees-permits, specialty equipment, lifts, cranes, Dig Safe, any commissioning or inspection fees

Exclusions-

- Demolition of existing poles, fixtures and feeders (by others) **SEE ALTERNATES**
- Installation of new power feeds, conduits, conductors, and terminations **SEE ALTERNATES**



Control System Summary

Project Specific Notes:

Project Information

Project #: 167333
 Project Name: Westerly High School Soccer And Football
 Date: 10/26/21
 Project Engineer: Aaron Rose
 Sales Representative: Mike Mahoney
 Control System Type: Control-Link™ Control and Monitoring System with Show-Light™ Entertainment Package
 Communication Type: PowerLine-ST
 Scan: 167333C
 Document ID: 167333P1V2-1026102147
 Distribution Panel Location or ID: Service 2
 Total # of Distribution Panel Locations for Project: 1
 Design Voltage/Hertz/Phase: 208/60/3
 Control Voltage: 120

Equipment Listing

DESCRIPTION	APPROXIMATE SIZE
1. Control and Monitoring Cabinet	24 X 48
	QTY. SIZE (AMPS)
Total Contactors	4 60 AMP
Total Off/On/Auto Switches:	1

*Preliminary Plan
 Confirm all Details - voltage,
 # of distribution panels, etc.*

Materials Checklist

Contractor/Customer Supplied:

- A dedicated control circuit must be supplied per distribution panel location
 - If the control voltage is NOT available, a control transformer is required
- Electrical distribution panel to provide overcurrent protection for circuits
 - HID rated or D-curve circuit breaker sized per full load amps on Circuit Summary by Zone Chart
- Wiring
 - See chart on page 2 for wiring requirements
 - Equipment grounding conductor and splices must be insulated (per circuit)
 - Lightning ground protection (per pole), if not Musco supplied
- Electrical conduit wireway system
 - Entrance hubs rated NEMA 4, must be die-cast zinc, PVC, or copper-free die-cast aluminum
- Mounting hardware for cabinets
- Breaker lock-on device to prevent unauthorized power interruption to control power and powerline connection (if present)
- Anti-corrosion compound to apply to ends of wire, if necessary

Call Control-Link Central™ operations center at 877/347-3319 to schedule activation of the control system upon completion of the installation.

Note: Activation may take up to 1 1/2 hours.

IMPORTANT NOTES

1. Please confirm that the design voltage listed above is accurate for this facility. Design voltage/phase is defined as the voltage/phase being connected and utilized at each lighting pole's electrical components enclosure disconnect. Inaccurate design voltage/phase can result in additional costs and delays. Contact your Musco sales representative to confirm this item.
2. In a 3 phase design, all 3 phases are to be run to each pole. When a 3 phase design is used Musco's single phase luminaires come pre-wired to utilize all 3 phases across the entire facility.
3. One contactor is required for each pole. When a pole has multiple circuits, one contactor is required for each circuit. All contactors are 100% rated for the published continuous load. All contactors are 3 pole.
4. If the lighting system will be fed from more than one distribution location, additional equipment may be required. Contact your Musco sales representative.
5. A single control circuit must be supplied per control system.
6. Size overcurrent devices using the full load amps column of the Circuit Summary By Zone chart- Minimum power factor is 0.9.

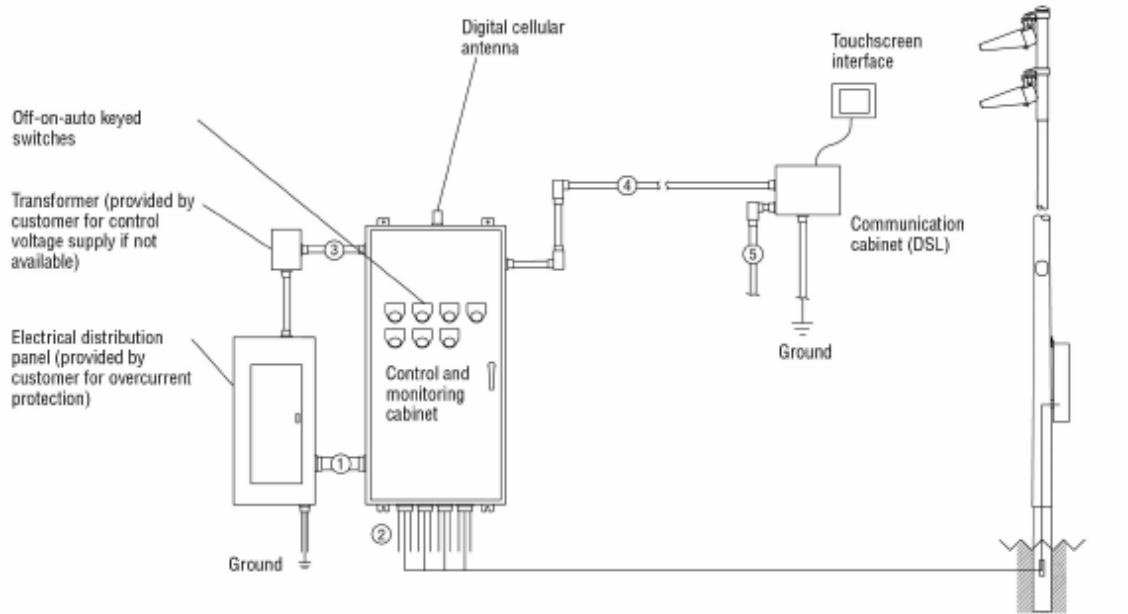
NOTE: Refer to Installation Instructions for more details on equipment information and the installation requirements.



Control System Summary

Westerly High School Soccer And Football / 167333 - 167333C
Service 2 - Page 2 of 4

Control-Link. Control and Monitoring System



Conduit ID	Description	# of Wires	Wire (AWG)	Conduit (in)	Max. Wire Length (ft)	MUSCO Supplied	Notes
1	Line power to contactors, and equipment grounding conductor	*A	*B	*C	N/A	No	A-E
2	Load power to lighting circuits, and equipment grounding conductor	*A	*B	*C	N/A	No	A-E
3	Control power (dedicated, 20A)	3	12	*C	N/A	No	C,E
4	Communication cable to touchscreen	*F	*F	*C	1500	No	C,E,F
5	Control power	3	*B	*C	N/A	No	A-E

* Notes:

- A. See voltage and phasing per the notes on cover page.
- B. Calculate per load and voltage drop.
- C. All conduit diameters should be per code unless otherwise specified to allow for connector size.
- D. Equipment grounding conductor and any splices must be insulated.
- E. Refer to control and monitoring system installation instructions for more details on equipment information and the installation requirements.
- F. Cat5e cable (Belden 7937A or equal) is required. Communication cabinet requires control power circuit and connection to earth ground. Standard wall outlet is required to power touchscreen. Touchscreen connects to communication cabinet with Ethernet cable (<300 ft.).

IMPORTANT: Control wires (3,5) and communication wire (4) must be in separate conduit from line and load power wires (1, 2).

R99-104-00_F



Control System Summary

Westerly High School Soccer And Football / 167333 - 167333C
Service 2 - Page 3 of 4

SWITCHING SCHEDULE

Field/Zone Description	Zones
Football	1
Soccer	1

CONTROL POWER CONSUMPTION	
120V Single Phase	
VA loading of Musco Supplied Equipment	INRUSH: 1553.0 SEALED: 179.8

CIRCUIT SUMMARY BY ZONE

POLE	CIRCUIT DESCRIPTION	# OF FIXTURES	# OF DRIVERS	*FULL LOAD AMPS	CONTACTOR SIZE (AMPS)	CONTACTOR ID	ZONE
F1	Field	7	7	32.4	60	C1	1
F2	Field	7	7	32.4	60	C2	1
F3	Field	7	7	32.4	60	C3	1
F4	Field	7	7	32.4	60	C4	1

*Full Load Amps based on amps per driver.



Control System Summary

Westerly High School Soccer And Football / 167333 - 167333C
Service 2 - Page 4 of 4

PANEL SUMMARY

CABINET #	CONTROL MODULE LOCATION	CONTACTOR ID	CIRCUIT DESCRIPTION	FULL LOAD AMPS	DISTRIBUTION PANEL ID (BY OTHERS)	CIRCUIT BREAKER POSITION (BY OTHERS)
1	1	C1	Pole F1	32.42		
1	1	C2	Pole F2	32.42		
1	1	C3	Pole F3	32.42		
1	1	C4	Pole F4	32.42		

ZONE SCHEDULE

ZONE	SELECTOR SWITCH	ZONE DESCRIPTION	CIRCUIT DESCRIPTION	
			POLE ID	CONTACTOR ID
Zone 1	1	Field	F1	C1
			F2	C2
			F3	C3
			F4	C4



TOWN OF WESTERLY / WESTERLY PUBLIC SCHOOLS



Imagery ©2021 Google, Imagery ©2021 Maxar Technologies, Map data ©2021 50 ft



Augeri Field - Demo Light Towers and Install New Primary Feeders (ALTERNATES)

Scope of Work

The project shall consist of the removing Four (4) 10 Lamp (1500W each) 80-foot pressure treated Pole Top Lighting Systems including the existing power, and control wiring.

Furnish and installing new primary feeders as noted below. The job location is Augeri Field, 23 Ward Avenue, Westerly R.I. Items to be provided and installed by the contractor include, but shall not be strictly limited to the following:

- Remove and properly dispose of the existing 4) 10 lamp per pole lighting systems including fixtures, poles and concrete footings
- Furnish and install the necessary conductors, conduit, grounding, lightning arrestors as needed to comply with the N.E.C, State, and Local Codes using the existing distribution panel
 - 4) 60AMP 3Ph/208 feeds per Spec Sheet 1
 - New conduits and conductors to visitor's side poles
 - Use existing 2 INCH PVC conduits on the Home side poles
 - Install additional 60 AMP 110V conduit and conductors to 16 circuit distribution panel on visitor's side (for future use)
 - *can increase the amperage of one of the pole feeds and install a step down transformer with distribution panel if more cost effective
- Reuse existing electrical service panel, conduits and wire where possible.
- Install new conduit and electrical wire as needed

Project General Conditions

- The site is an existing football field, with a newly surfaced track and an adjacent asphalt parking lot with completed landscaping. The contractor must take all precautions to prevent damage.
- It is each bidder's responsibility to review the entire set of specifications and visit the site to determine the scope of work. This is to be a turnkey project and all bidders should include all costs necessary to complete the project.
- The awarded Contractor will be responsible for
 - The engineering, design, and commissioning of the electrical feeders
 - Performing an on-site survey of the facilities determine all necessary requirements for proper installation of the electrical feeders
 - Identifying the existing equipment/systems at each location and validate the systems are in good working order
- The awarded Contractor must.
 - Conduct a pre-construction meeting.
 - Provide dumpsters, portable restrooms and construction fencing as needed.
 - Provide proper active school, and safe site action plan.
 - Provide on-site supervision of all staging area, materials, and equipment.
 - Be a Licensed Contractor
 - Provide site protection
 - Repair any damage that was caused by the contractors at no additional cost.
 - Provide a detailed work schedule



TOWN OF WESTERLY / WESTERLY PUBLIC SCHOOLS



- Maintain a safe and clean job site
 - Must clean the job site and all adjacent areas occupied during construction.
 - All job-related debris will be cleaned up and disposed of properly off-site.
- Provide maintenance training of owner personnel

Clarifications-

- Existing primary power supply is 3 phase 208 volt
- All conduits above grade shall be rigid galvanized steel.
- The installing contractor shall be responsible for locating all underground utilities including, but not limited to, natural gas, electric, water, sewer, cable TV and telephone.

Inclusions- The proposal shall include:

- Verification of the existing electrical system for proper operation
- Drawings submitted to the Westerly Building Department for a construction permit
- Any and all Permits related to this scope of work
- Specialty equipment, lifts, cranes
- Dig Safe, any commissioning or inspection fees
- Disposal of the existing fixtures, poles and footings
- Electrical terminations to Third Party Vendor control panel (see Spec Sheet 1) and primary distribution panel

Exclusions

- Installation of new footings, poles or fixtures **(In BASE BID)**
- Adjustments of the LED fixtures and controls **(IN BASE BID)**

Craig Field

Scope of Work

The project shall consist of the **replacing** EIGHT (8) 10 Lamp (1500W each) 60' Pole Top LED Lighting Systems including new precast concrete bases, light towers, controls, pole length wire harnesses, factory aimed and assembled luminaires and padding at Craig Softball Field, 11 Mountain Ave, Westerly R.I. The new towers and fixtures installation may be coordinated with an awarded Electrical Contractor who will perform the demolition and primary power supply conduit, cabling and terminations per the awarded Lighting System Contractors recommendations. The Lighting project shall include but is not limited to the following.

- Furnish and install the necessary lighting fixtures with guaranteed light levels of 30 foot-candles at field of play, required lighting towers, control conduit, control panels, control wiring, programming, and grounding as needed to comply with the N.E.C, Rhode Island Interscholastic League, State, and Local Authorities
- Install any required lightning arrestor systems
- Work with Owner to secure energy reimbursements from the Utility Company
- Erect and aim sports lighting equipment per instructions provided by manufacturer.
- SPORTS LIGHTING SYSTEM CONSTRUCTION- Musco Light-Structure System with Total Light Control-TLC for LED Technology **OR EQUIVALENT**
 - All components shall be designed and manufactured as a system. All luminaires, wire harnesses, drivers and other enclosures shall be factory assembled, aimed, wired and tested.



- Durability: All exposed components shall be constructed of corrosion resistant material and/or coated to help prevent corrosion. All exposed carbon steel shall be hot dip galvanized per ASTM A123. All exposed aluminum shall be powder coated with high performance polyester or anodized. All exterior reflective inserts shall be anodized, coated, and protected from direct environmental exposure to prevent reflective degradation or corrosion. All exposed hardware and fasteners shall be stainless steel of 18-8 grade or better. Lighting system must be certified for wet locations.
 - Wiring shall be enclosed within cross-arms, pole, or electrical component enclosures. No external wiring permitted
 - Must have required surge protection.
 - All luminaires, visors, cross-arm, and other assemblies shall withstand winds per 2015 IBC, 140 mi/h, and exposure: C.
 - All system components shall be UL listed for the appropriate application.
-
- Light Level Summary
 - CONTROLS
 - Control and monitoring system shall provide instant on/off capabilities and meeting the following specifications:
 - Onsite and/or remote access
 - Wireless Control for multiple users with various system permission levels
 - System notification during loss of communication to any light fixture
 - Ability to schedule recurring events at fixed times and/or dates
 - Firmware/software upgrade capable
 - Be protected from memory loss during power outages weather internally or via programming application.
 - ENVIRONMENTAL LIGHT CONTROL: It is the primary goal of this project to minimize spill light to adjoining properties and glare to the players, spectators and neighbors.
 - All luminaires shall utilize spill light and glare control devices including, but not limited to, internal shields, louvers and external shields.
 - Spill Scans: Spill scans must be submitted indicating the amount of horizontal and vertical foot-candles along the specified lines. Light levels shall be taken at 30-foot intervals along the boundary line. Readings shall be taken with the meter orientation at both horizontal and aimed towards the most intense bank of lights. Illumination level shall be measured in accordance with the IESNA LM-5-04 after 1 hour warm up.
 - LIGHTING PERFORMANCE
 - Lighting provided shall meet all requirements for maintaining the correct lighting level for athletic field play as designated by Rhode Island Interscholastic League. The new system shall provide even lighting over the entire playing field area and eliminate any unevenly lit areas
 - Playing surfaces shall be lit to an average target illumination level and shall be measured in accordance with the IESNA LM-5-04 (IESNA Guide for Photometric Measurements of Area and Sports Lighting Installations). Illumination levels shall not to drop below desired target values. The lighting system shall have a minimum color temperature of 5700K and a CRI of 75.
 - WARRANTY



TOWN OF WESTERLY / WESTERLY PUBLIC SCHOOLS



- 25-year parts, labor and travel warranty, including LED fixtures, drivers, surge devices, wire harnesses, cross arms and lighting controls.
 - Individual luminaire outages shall be repaired when the usage of any field is materially impacted.
 - All maintenance costs shall be eliminated for the duration of the warranty.
- Guaranteed Light Levels: Maintained Average Illuminance and shall be guaranteed for the full warranty period.

Project General Conditions

- The site is an existing fenced in softball field, dugouts and spectator area on a sloped area leading to the parking lot. The contractor must take all precautions to prevent damage.
- It is each bidder's responsibility to review the entire set of specifications and visit the site to determine the scope of work. This is to be a turnkey project and all bidders should include all costs necessary to complete the project.
- The awarded Contractor will be responsible for the engineering, design, and foot-candle verification.
 - The awarded Contractor shall conduct an on-site survey of the facilities determine all necessary requirements for proper installation of the LED lighting system.
- The awarded Contractor must.
 - Conduct a pre-construction meeting.
 - Provide dumpsters, portable restrooms and construction fencing as needed.
 - Provide proper active school, and safe site action plan.
 - Provide on-site supervision of all staging area, materials, and equipment.
 - Be a Licensed Contractor
 - Provide site protection
 - Repair any damage that was caused by the contractor at no additional cost.
 - Provide a detailed work schedule
 - Maintain a safe and clean job site
 - Must clean the job site and all adjacent areas occupied during construction.
 - All job-related debris will be cleaned up and disposed of properly off-site.
 - Provide copies of the maintenance manual
 - Provide maintenance training of owner personnel

Clarifications

- existing power supply is 3 phase 208
- Concrete tower foundations are required
- Galvanized steep poles required
- No direct burial steel or concrete poles
- LED drivers must be located 10 foot above grade

Inclusions- The proposal shall include:

- Code level installation of poles, lighting system and controls
- Installation of new power feeds, conduits, conductors, and terminations
- Performance characteristics to include foot-candle verification and energy (watt) verification.
- Design drawings should be stamped by a Professional Engineer and submitted to the Westerly Building Department for a construction permit.



- Fees-permits, specialty equipment, lifts, cranes, Dig Safe, any commissioning or inspection fees

Exclusions-

- Demolition of existing poles, fixtures and feeders (by others)

Pee Wee Football Field

Scope of Work

The project shall consist of installing a new LED system to the existing SIX (6) 10 Lamp (1500W each) POLES. LED Lighting Systems including controls, pole length wire harnesses, factory aimed and assembled luminaries and padding at **Westerly Pee Wee Football Field 60 Old Hopkinton Road, Westerly, RI 02891**. The new fixture installation may be coordinated with an awarded Electrical Contractor who will perform the demolition and primary power supply conduit, cabling and terminations per the awarded Lighting System Contractors recommendations. The Lighting project shall include but is not limited to the following;

- Furnish and install the necessary lighting fixtures with guaranteed light levels of 30 foot-candles at field of play, required lighting towers, control conduit, control panels, control wiring, programming, and grounding as needed to comply with the N.E.C, Rhode Island Interscholastic League, State, and Local Authorities
- Install any required lightning arrestor systems
- Work with Owner to secure energy reimbursements from the Utility Company
- Erect and aim sports lighting equipment per instructions provided by manufacturer.
- SPORTS LIGHTING SYSTEM CONSTRUCTION- Musco Light-Structure System with Total Light Control-TLC for LED Technology **OR EQUIVILENT**

- All components shall be designed and manufactured as a system. All luminaires, wire harnesses, drivers and other enclosures shall be factory assembled, aimed, wired and tested.
- Durability: All exposed components shall be constructed of corrosion resistant material and/or coated to help prevent corrosion. All exposed carbon steel shall be hot dip galvanized per ASTM A123. All exposed aluminum shall be powder coated with high performance polyester or anodized. All exterior reflective inserts shall be anodized, coated, and protected from direct environmental exposure to prevent reflective degradation or corrosion. All exposed hardware and fasteners shall be stainless steel of 18-8 grade or better. Lighting system must be certified for wet locations.
- Wiring shall be enclosed within cross-arms, pole, or electrical component enclosures. No external wiring permitted
- Must have required surge protection.
- All luminaires, visors, cross-arm, and other assemblies shall withstand winds per 2015 IBC, 140 mi/h, and exposure: C.
- All system components shall be UL listed for the appropriate application.

Light Level Summary

- CONTROLS



TOWN OF WESTERLY / WESTERLY PUBLIC SCHOOLS



- Control and monitoring system shall provide instant on/off capabilities and meeting the following specifications:
 - Onsite and/or remote access
 - Wireless Control for multiple users with various system permission levels
 - System notification during loss of communication to any light fixture
 - Ability to schedule recurring events at fixed times and/or dates
 - Firmware/software upgrade capable
 - Be protected from memory loss during power outages weather internally or via programming application.
- ENVIRONMENTAL LIGHT CONTROL: It is the primary goal of this project to minimize spill light to adjoining properties and glare to the players, spectators and neighbors.
 - All luminaires shall utilize spill light and glare control devices including, but not limited to, internal shields, louvers and external shields.
 - Spill Scans: Spill scans must be submitted indicating the amount of horizontal and vertical foot-candles along the specified lines. Light levels shall be taken at 30-foot intervals along the boundary line. Readings shall be taken with the meter orientation at both horizontal and aimed towards the most intense bank of lights. Illumination level shall be measured in accordance with the IESNA LM-5-04 after 1 hour warm up.
- LIGHTING PERFORMANCE
 - The new system shall provide even lighting over the entire playing field area and eliminate any unevenly lit areas
 - Playing surfaces shall be lit to an average target illumination level and shall be measured in accordance with the IESNA LM-5-04 (IESNA Guide for Photometric Measurements of Area and Sports Lighting Installations). Illumination levels shall not to drop below desired target values. The lighting system shall have a minimum color temperature of 5700K and a CRI of 75.
- WARRANTY
 - 10-year parts, labor and travel warranty, including LED fixtures, drivers, surge devices, wire harnesses, cross arms and lighting controls.
 - Individual luminaire outages shall be repaired when the usage of any field is materially impacted.
 - All maintenance costs shall be eliminated for the duration of the warranty.
 - Guaranteed Light Levels: Maintained Average Illuminance and shall be guaranteed for the full warranty period.

Project General Conditions

- The site is an existing Football Field and Practice Field, with bleachers and parking lot. The contractor must take all precautions to prevent damage.
- It is each bidder's responsibility to review the entire set of specifications and visit the site to determine the scope of work. This is to be a turnkey project and all bidders should include all costs necessary to complete the project.



TOWN OF WESTERLY / WESTERLY PUBLIC SCHOOLS



- The awarded Contractor will be responsible for the engineering, design, and foot-candle verification.
 - The awarded Contractor shall conduct an on-site survey of the facilities determine all necessary requirements for proper installation of the LED lighting system.
- The awarded Contractor must.
 - Conduct a pre-construction meeting.
 - Provide dumpsters, portable restrooms and construction fencing as needed.
 - Provide proper active school, and safe site action plan.
 - Provide on-site supervision of all staging area, materials, and equipment.
 - Be a Licensed Contractor
 - Provide site protection
 - Repair any damage that was caused by the contractor at no additional cost.
 - Provide a detailed work schedule
 - Maintain a safe and clean job site
 - Must clean the job site and all adjacent areas occupied during construction.
 - All job-related debris will be cleaned up and disposed of properly off-site.
 - Provide copies of the maintenance manual
 - Provide maintenance training of owner personnel

Clarifications

- existing power supply is 3 phase 208
- LED drivers must be located 10 foot above grade

Inclusions- The proposal shall include:

- Code level installation lighting system and controls
- Installation of new power feeds, conduits, conductors, and terminations
- Performance characteristics to include foot-candle verification and energy (watt) verification.
- Design drawings should be stamped by a Professional Engineer and submitted to the Westerly Building Department for a construction permit.
- Fees-permits, specialty equipment, lifts, cranes, Dig Safe, any commissioning or inspection fees

ALTERNATE BID OPTIONS :

Pee Wee Practice Field: Attach additionally lighting to the 3 poles to light the auxiliary practice field.



MILESTONE SCHEDULE DATES

The Successful Bidder agrees to perform the described Work in accordance with the following schedule:

Project Award- January 31, 2022

Approximate Work Start Date: TOWN 2/21/2022 SCHOOL 2/15/2022

**Approximate Work Completion Date: Substantial Completion- TOWN By 2022
Spring SCHOOL by April 1, 2022.**

These are approximate milestone dates and may be adjusted by the Town/Schools to meet the overall project requirements. Additional charges from the successful bidder, for any adjustments, prior to completion of the work, will not be allowed.

The Bidders shall be aware that meeting the above completion date milestones may require extended workdays, Saturday work, and multiple crews and expedited procurement of materials. Normal working hours are 8:00 am to 4:30 pm EST. Bidder must submit a request along with the proposal if different hours are needed. All of these work requirements shall be considered within the base bid price.



ATTACHMENT "B"

Bid Form

"THIS FORM MUST BE COMPLETED AND SUBMITTED WITH BID"

RFQ NUMBER: 2021 – 071

RFQ NAME: Westerly Rec. Dept.& School Field Lighting Projects

The Bidder stated below agrees to provide all labor, materials, equipment, supervision and all activities required to provide a complete scope of work as defined in the above referenced Request for Quotation, for the Lump Sum amount of _____

(\$ _____)

For the Town/Schools to properly evaluate the Proposals, please supply the following information.

BID BREAKDOWN	Augeri Field	Craig Field	Pee-Wee Field
	COST	COST	COST
LABOR			
Materials			
Major Equipment (over \$10K)			
Subcontractors			
Overhead, Profit, Misc. & General Conditions			
Shipping/ Logistics/ Rigging			
Bonds (Over \$50K)			
Permits			
TOTAL BID PRICE			

Did you completed and submit **Appendix A**: YES _____ NO _____?

Start: _____ calendar days after receipt of order.

ALTERNATE PRICES

Alternate Prices shall include all costs such as profit, overhead, regulatory compliance, bond, insurance, etc., associated with the changes, omissions, additions or other adjustment to the Work of this Bid Package which are described in the Alternate.

ALTERNATES	Cost
1. Furnish and Install Required Primary Feeders	\$
2. Demolish and Dispose existing poles, fixtures, conduit, conductors etc.	\$
3. Pee Wee Field Added Lights	\$



UNIT PRICES

The Bidder submits these predetermined Unit Prices as the basis for any change orders as approved in advance by the Town/Schools. These Unit Prices include all costs, including but not limited to labor, materials, services, regulatory compliance, insurance, overhead, and profit. If a specific item or task is not noted in the description, the cost of that item must be included in an item listed below. Note: some items identified may not be referenced in this scope but are listed for potential substitutions and/or for potential items to be used within the allowance budget.

DESCRIPTION	UNIT PRICE
1. ADDITIONAL FIXTURE	\$
2. NOT APPLICABLE	

The below stated Bidder agrees to provide all labor, materials, equipment, supervision and all activities required to provide a complete scope of work as defined in this Request for Quotation, including, but not limited to, agree to all terms and conditions, all as shown or by reference, unless as excluded below:

EXCLUSIONS:

Did you deviate from the specifications in any way: YES____ NO ____?
(If yes, you must explain below and submit a detailed description of all deviations so that your product or service can be properly evaluated.)

The above price includes all stipulations and requirements of Addendum No. _____, which have been received and accepted by the undersigned.

What is the **Company's Experience Modification Rating** from your Insurance provider? _____
EMR. If over 1.0, please explain why: _____

This Request for Quotation, together with all documents, specifications, drawings and documents/attachments/Addendums, are included and constitute the entire proposal from the bidder. There are no terms, conditions, or provisions, either oral or written, between the parties hereto, other than those contained herein. The Request for Quotation supersedes all written representation, inducements, or understandings of any kind or nature between the parties hereto, relating to the project involved herein. Payment Terms are net 30 days, for this scope of work.



TOWN OF WESTERLY / WESTERLY PUBLIC SCHOOLS



The lump sum bid price above, excludes applicable sales and or use taxes; includes all insurance premiums; and includes all shipping/transportation costs, if applicable.
The submitted pricing for this scope of work shall remain firm for 90 days from date of submission.

Company Representative

Print Name: _____

Authorized Signature: _____

Telephone Street City State Zip

email: _____

Date: _____

Company Name: _____



Appendix A Bidder Certification Form

ALL OFFERS ARE SUBJECT TO THE REQUIREMENTS, PROVISIONS AND PROCEDURES CONTAINED IN THIS CERTIFICATION FORM. Offerors are expected to read, sign and comply with all requirements. Failure to do so may be grounds for disqualification of the offer contained herein.

Rules for Submitting Offers

This Certification Form must be attached in its entirety to the front of the offer and shall be considered an integral part of each offer made by a vendor to enter a contract with the Town of Westerly/Westerly Schools. As such, submittal of the entire Bidder Certification Form, signed by a duly authorized representative of the offeror attesting that he/she (1) has read and agrees to comply with the requirements set forth herein and (2) to the accuracy of the information provided and the offer extended, is a mandatory part of any contract award.

To assure that offers are considered on time, each offer must be submitted with the specific Bid/RFP/RFQ number, date and time of opening marked in the upper left hand corner of the envelope. Each bid/offer must be submitted in separate sealed envelopes. A complete signed (in ink) offer package must be delivered to the Town of Westerly/Westerly Public Schools Purchasing Agent at the location indicated within the bid by the time/date specified for the opening of responses in a sealed envelope.

Bids must be submitted on the bid solicitation forms provided, indicating brand and part numbers of items offered, as appropriate. Bidders must submit detailed cuts and specs on items offered as equivalent to brands requested WITH THE OFFER. Bidders must be able to submit samples if requested.

Documents misdirected to other Town locations or which are not present in the Town of Westerly/Westerly Public Schools Purchasing Office at the time of opening for whatever cause will be deemed to be late and will not be considered. Postmarks shall not be considered proof of timely submission. The Town of Westerly/Westerly Schools reserves the right to reject any and all proposals, to waive any informality in the proposals received and to accept the proposal deemed to be most favorable to the best interests of the Town/Schools.

SOLICITATIONS. To assure maximum access opportunities for users, public bid/RFP solicitations shall be posted on the website for a minimum of seven days and no amendments shall be made within the last five days before the date an offer is due. Except when access to the website has been severely curtailed and it is determined by the Purchasing Agent that special circumstances preclude extending a solicitation due date, requests to mail or fax hard copies of solicitations will not be honored. When the result of an internet solicitation is unsuccessful, the Town of Westerly/Westerly Public Schools will cancel the original solicitation and re-solicit the original offer directly from vendors.

PRICING. Offers are irrevocable for ninety (90) days from the opening date (or such other extended period set forth in the solicitation), and may not be withdrawn, except with the express permission of the Purchasing Agent. All pricing will be firm and fixed unless otherwise indicated. (R.I Sales Tax under the 1956 General Laws of the State of RI, 44-18-30 Para1, as amended.) The Town of Westerly/Westerly Public Schools is exempt from Federal excise taxes and State Sales and Use Taxes. Such taxes shall not be included in the bid price.

DELIVERY and PRODUCT QUALITY. All offers must define delivery dates for all items; if no delivery date is specified, it is assumed that immediate delivery from stock will be made. The contractor will be responsible for delivery of materials in first class condition. Rejected materials will be at the vendor's expense. **PRICES QUOTED ARE FOB DESTINATION.** No additional shipping, handling, or fuel surcharge costs will be honored by the Town/School. Only inside delivery and set-up, where required, will be accepted. **TAILGATE DELIVERIES WILL BE REFUSED.** Deliveries must consist only of new merchandise or equipment (unless otherwise specified) and shall be made between 8:30 a.m. and 3:00 p.m., Monday through Friday. No delivery shall become due or be acceptable without an authorized Purchase Order issued by the Purchasing Agent.



TOWN OF WESTERLY / WESTERLY PUBLIC SCHOOLS



PREVAILING WAGE, OSHA SAFETY TRAINING and APPRENTICESHIP REQUIREMENTS. Bidders must comply with the provisions of the Rhode Island labor laws, including R.I. Gen. Laws §§ 37-13-1 et seq. and occupational safety laws, including R.I. Gen. Laws §§ 28-20-1 et seq. These laws mandate for public works construction projects the payment of prevailing wage rates, the implementation and maintenance of occupational safety standards, and for projects with a minimum value of \$1 Million, the employment of apprentices. The successful Bidder must submit certifications of compliance with these laws from each of its subcontractors prior to their commencement of any work. Prevailing wage rates, apprenticeship requirements, and other workforce and safety regulations are accessible at www.dlt.ri.gov.

PUBLIC RECORDS. Offerors are advised that all materials submitted to the Town of Westerly/Schools for consideration in response to this solicitation will be considered without exception to be Public Records pursuant to Title 38 Chapter 2 of the Rhode Island General laws, and will be released for inspection immediately upon request once an award has been made. Offerors are encouraged to attend public bid/RFP openings to obtain Information; however, bid/RFP response summaries may be reviewed after award(s) have been made by visiting www.westerlyri.gov or appearing in person at Westerly Town Hall, Purchasing Office, Mondays through Fridays between 8:30am-3:30pm. Telephone requests for results will not be honored. Written requests for results will only be honored if the information is not available on the website.

Award will be made to the responsive and responsible offeror quoting the lowest net price in accordance with specifications, for any individual item(s), for major groupings of items, or for all items listed, at the Town's sole option.

BID SURETY. Where bid surety is required, for construction/labor services, bidder must furnish a bid bond or certified check for 5% of the bid total with the bid, or for such other amount as may be specified. Bids submitted without a required bid surety will not be considered. Contractor awarded a contract with a contract price in excess of fifty thousand dollars (\$50,000) for construction, buildings or public works is to file with the proper authority good and sufficient bond with surety furnished by any surety company authorized to do business in the State of Rhode Island and in accordance with Chapter 13 of the General Laws of Rhode Island entitled "Labor and Payment of Debts by Contractors".

SPECIFICATIONS. Unless specified "no substitute", product offerings equivalent in quality and performance will be considered (at the sole option of the Town/School) on the condition that the offer is accompanied by detailed product specifications. Offers which fail to include alternate specifications may be deemed nonresponsive.

VENDOR AUTHORIZATION TO PROCEED. When a purchase order, change order, contract/agreement or contract/agreement amendment is issued by the Town of Westerly/Westerly Public Schools, no claim for payment for services rendered or goods delivered contrary to or more than the contract terms and scope shall be considered valid unless the vendor has obtained a written change order or contract amendment issued by the Town/Schools PRIOR to delivery.

Any offer, whether in response to a solicitation for proposals or bids, or made without a solicitation, which is accepted in the form of an order OR pricing agreement made in writing by the Town's Purchasing Department, shall be considered a binding contract.

GENERAL TERMS AND CONDITIONS OF CONTRACTS. This solicitation and any contract or purchase order arising from it are issued in accordance with the specific requirements described herein, and the State's Purchasing Laws and Regulations and other applicable State Laws. The General Terms and Conditions are incorporated into all the Town of Westerly/Westerly Public Schools contracts.

ARRA SUPPLEMENTAL TERMS AND CONDITIONS. Contracts and sub-awards funded in whole or in part by the American Recovery and Reinvestment Act of 2009. Pub.L.No. 111-5 and any amendments thereto, such contracts and sub-awards shall be subject to the Supplemental Terms and Conditions for Contracts and Sub-awards funded in whole or in part by the American Recovery and Reinvestment Act of 2009. Pub. L. No. 111-5 and any amendments thereto located on the Division of Purchases website at www.purchasing.ri.gov.

EQUAL EMPLOYMENT OPPORTUNITY. Compliance certificate and agreement procedures will apply to all awards for supplies or services valued at \$10,000 or more. Minority Business Enterprise policies and procedures, including subcontracting opportunities as described in Title 37 Chapter 14.1 of the Rhode Island General Laws also apply.



TOWN OF WESTERLY / WESTERLY PUBLIC SCHOOLS



PERFORMANCE BONDS. Where indicated, successful bidder must furnish a 100% performance bond and labor and payment bond for contracts subject to Title 37 Chapters 12 and 13 of the Rhode Island General Laws. All bonds must be furnished by a surety company authorized to conduct business in the State of Rhode Island. Performance bonds must be submitted within 21 calendar days of the notice of award.

DEFAULT and NON-COMPLIANCE Default and/or non-compliance with the requirements and any other aspects of the award may result in withholding of payment(s), contract termination, debarment, suspension, or any other remedy necessary that is in the best interest of the Town of Westerly.

COMPLIANCE Vendor must comply with all applicable federal, state and local laws, regulations and ordinances

SPRINKLER IMPAIRMENT AND HOT WORK. The Contractor agrees to comply with the practices of the Town/Town's Insurance carrier for sprinkler impairment and hot work. Prior to performing any work, the Contractor shall obtain the necessary information for compliance from the Risk Management Office at the Department of Administration or the Risk Manager at the Town of Westerly.

PUBLIC COPY. Each bid proposal for a *public works project* must include a "public copy" to be available for public inspection upon the opening of bids. Bid Proposals that do not include a copy for public inspection will be deemed nonresponsive.

For further information on how to comply with this statutory requirement, see R.I. Gen. Laws §§ 37-2-18(b) and (j). Also see State of Rhode Island Procurement Regulation 5.11 at <http://www.purchasing.ri.gov/rulesandregulations/rulesAndRegulations.aspx>

ALL CONTRACT AWARDS ARE SUBJECT TO THE FOLLOWING DISCLOSURES & CERTIFICATIONS

Offerors must respond to every disclosure statement and submit with your proposal. A person authorized to enter into contracts must sign the offer and attest to the accuracy of all statements.

Indicate Yes (Y) or No (N):

1 State whether your company, or any owner, stockholder, officer, director, member, partner, or principal thereof, or any subsidiary or affiliated company, has been subject to suspension or debarment by any federal, state, or municipal government agency, or the subject of criminal prosecution, or convicted of a criminal offense with the previous five (5) years. If so, then provide details below.

2 State whether your company, or any owner, stockholder, officer, director, member, partner, or principal thereof, or any subsidiary or affiliated company, has had any contracts with a federal, state or municipal government agency terminated for any reason within the previous five (5) years. If so, then provide details below.

3 State whether your company or any owner, stockholder, officer, director, member, partner, or principal thereof, or any subsidiary or affiliated company, has been fined more than \$5000 for violation(s) of Rhode Island environmental laws by the Rhode Island Department of Environmental Management within the previous five (5) years. If so, then provide details below.

4 I/we certify that I/ we will immediately disclose, in writing, to the Purchasing Agent any potential conflict of interest which may occur during the course of the engagement authorized pursuant to this contract.

5 I/we acknowledge that, in accordance with (1) Chapter §37-2-54(c) of the Rhode Island General Laws "no purchase or contract shall be binding on the state or any agency thereof unless approved by the Department of Administration or made under general regulations which the Purchasing Agent may prescribe," including change orders and other types of contracts and under State Purchasing Regulation 8.2.1.1.2 any alleged oral agreement or arrangements made by a bidder or contractor with any department or an employee of the Town of Westerly may be disregarded and shall not be binding on the Town of Westerly.

6 I/we certify that I or my/our firm possesses all licenses required by Federal and State laws and regulations as they pertain to the requirements of the solicitation and offer made herein and shall maintain such required license(s) during



TOWN OF WESTERLY / WESTERLY PUBLIC SCHOOLS



the entire course of the contract resulting from the offer contained herein and, should my/our license lapse or be suspended, I/we shall immediately inform the Town of Westerly Purchasing Agent in writing of such circumstance.

__ 7 I/we certify that I/ we will maintain required insurance during the entire course of the contract resulting from the offer contained herein and, should my/our insurance lapse or be suspended, I/we shall immediately inform the Town of Westerly Purchasing Agent in writing of such circumstance.

__ 8 I/we certify that I/we understand that falsification of any information herein or failure to notify the Town of Westerly Purchasing Agent as certified herein may be grounds for suspension, debarment and/or prosecution for fraud.

__ 9 I/we acknowledge that the provisions and procedures set forth in this form apply to any contract arising from this offer.

__ 10 I/we acknowledge that I/we understand the State's Purchasing Laws (§37-2 of the General Laws of Rhode Island) and General Terms and Conditions available at the Rhode Island Division of Purchases Website (<http://www.purchasing.ri.gov>) apply as the governing conditions for any contract or purchase order I/we may receive from the Town of Westerly, including the offer contained herein.

__ 11 I/we certify that the bidder: (i) is not identified on the General Treasurer's list, created pursuant to R.I. Gen. laws§ 37-2.5-3, as a person or entity engaging in investment activities in Iran described in§ 37-2.5-2(b); and (ii) is not engaging in any such investment activities in Iran.

__ 12 If the product is subject to Department of Commerce Export Administration Regulations {EAR} or International Traffic in Arms Regulations (ITAR), please provide the Export Control Classification Number (ECCN) or the US Munitions List (USML) Category: _____

__ 13 I/we certify that the above information is correct and complete.

IF YOU HAVE ANSWERED "YES" TO QUESTIONS #1- 3 OR IF YOU ARE UNABLE TO CERTIFY YES TO QUESTIONS #4 -11 and 13 OF THE FOREGOING, PROVIDE DETAILS/EXPLANATION IN AN ATTACHED STATEMENT. INCOMPLETE CERTIFICATION FORMS SHALL BE GROUNDS FOR DISQUALIFICATION OF OFFER.

Signature below commits vendor to the attached offer and certifies (1) that the offer has taken into account all solicitation amendments, (2) that the above statements and information are accurate and that vendor understands and has complied with the requirements set forth herein.

Vendor's Signature: _____ Bid Number: _____ Date: _____
(Person Authorized to enter into contracts; signature must be in ink) (if applicable)

Print Name and Title of Company official signing offer Telephone Number





ATTACHMENT "C"

INSTRUCTIONS TO BIDDERS (FOR CONSTRUCTION/SERVICES)

PURCHASING DEPARTMENT

1. **Submission of Bids**

- a. Envelopes containing bids **must be** sealed and addressed as indicated on the Invitation to Bid and must be marked with the name and address of bidder, date and bid due time, and name of bid, along with RFQ number.
- b. The Purchasing Agent will decide when and if the specified time has arrived to open bids, and no bid received thereafter will be considered. The Purchasing Agent reserves the right to waive any informality in the bidding process.
- c. Any bidder may withdraw his/her bid by written request at any time prior to the advertised time for opening. Telephonic bids, amendments, or withdrawals will not be accepted.
- d. Negligence on the part of the bidder in preparing the bid confers no rights for the withdrawal of the bid after it has been opened.
- e. Proposals received prior to the time of opening will be securely kept unopened. No responsibility will attach to an officer or person for the premature opening of a proposal not properly addressed and identified.
- f. Any deviation from the Specifications must be noted in writing and attached as part of the bid proposal. The Bidder shall indicate the item or part with the deviation and indicate how the bid will deviate from Specifications.
- g. Proposals that are renumbered or re-sequenced may be cause for rejection if all information cannot be easily found and identified. Bidders wishing to reword or re-format the enclosed documents should do so in an addendum identifying the pages or sections to be changed.

2. **Prices**

Bidders shall state the proposed price in the manner as designated in the Bid Proposal Form. If there is a discrepancy between the unit prices and the extended totals, the unit prices shall govern. In the event, there is a discrepancy between the price written in words and written in figures, the prices written in words shall govern.

3. **Terms**

Cash discounts offered will be considered in determining awards. The discount period shall be computed from the date of delivery or from the correct invoice as received by Town Treasurer, whichever date is later. The date of delivery shall be construed to mean the date on which bid item is determined to meet the specifications and is therefore acceptable. Discounts for a period less than thirty (30) days may not be considered. Payment terms are net 30.

4. **Qualification of Bidders**

The Town/School's may make such investigations as it deems necessary to determine the ability of the bidder to perform the work. The bidder shall furnish the town with all such information and data for the purpose as may be requested.



5. **Addenda and Interpretations**

No interpretation on the meaning of the Plans, Specifications or any other Contract Document will be made to any bidder orally. Every request for such interpretations must be in writing.

All questions pertaining to the specifications or proposal procedure should be first directed to the Purchasing Agent. Where information from the Purchasing Agent differs from information from any other source, the information from the Purchasing Agent prevails. The Town/School is not responsible for information obtained from any other source. It is the responsibility of the Bidder to check the website for any and all information regarding the request to bid.

6. **“Or Equal” Bidding**

When the name of a manufacturer, a brand name, or manufacturer’s catalogue number is issued as the bid standard in describing an item followed by “Or Equal” this description is used to indicate quality, performance and other essential characteristics of the article required.

If bidding on other than the make, model, brand or sample specified, but equal thereto, bidder must so state by giving the manufacturer’s name, catalogue number and any other information necessary to prove that the intended substitution of a commodity is equal in all essential respects to the bid standard. Bidder must prove to the satisfaction of the Town of Westerly/Westerly Schools or by person or persons designated by him, that his/her designated substitute is equal to the bid standard: otherwise, his/her bid will be declared “No Bid” insofar as the item in question is concerned.

7. **Award and Contract**

Unless otherwise specified, the Town of Westerly/Westerly Schools reserves the right to make award by item or items, or by total, as may be in the best interest of the Town; accept a proposal based on considerations other than costs; and waive and modify any provisions of the request for proposal. A written award (or acceptance of Bid) mailed (or otherwise furnished) to the successful bidder followed by an authorized Contract shall, unless otherwise specified, be deemed to result in a binding contract without further action by either party. The Bidder is responsible for all costs and expenses to develop and submit a proposal in response to the solicitation.

8. **Equal Employment Opportunity Policy Statement**

For the purposes of this Policy, the term “vendor” shall mean any and all individuals, companies, corporations, and business entities that provide goods or services to the Town of Westerly/Westerly Schools pursuant to any and all relevant and appropriate Federal, State, and local purchasing rules, regulations, and procedures.

The Town of Westerly/Westerly Schools is committed to the general policy and principle of Equal Employment Opportunity in terms of retaining vendors to provide the Town/Schools with goods and services necessary for routine and emergency operations. The Town of Westerly/Westerly Schools will not discriminate against vendors as entities, or individual employees thereof on any legally-recognized basis included, but not limited to, race, age, color, religion, sex, marital status, national origin, physical or mental disability, Veteran’s status, pregnancy, sexual orientation, genetic conditions, predisposition to certain diseases, or ancestry, except where a bona fide occupational qualification exists.

9. **Standard Insurance and Indemnification Requirements (for Construction/Labor Services)**

General Conditions: Within ten (10) business days of the award or notice, or prior to the start of work, whichever comes first, the contractor will provide, pay for, and maintain in full force and affect the insurance outlined here for coverage’s at not less than the prescribed minimum limits of liability. Such coverage is to



TOWN OF WESTERLY / WESTERLY PUBLIC SCHOOLS



remain in force during the life of the contract and for such additional time as may be required, and will cover the contractor's activities, those of any and all subcontractors, or anyone directly or indirectly employed by any of them, or by anyone for whose acts any of them may be liable.

- A. **Certificates of Insurance:** The contractor will give the owner a certificate of insurance completed by a duly authorized representative of their insurer certifying that at least the minimum coverage's required here are in effect and specifying that the liability coverage's are written on an occurrence form and that the coverage's will not be canceled, non-renewed, or materially changed by endorsement or through issuance of other policy(ies) of insurance without thirty (30) days advance written notice to: Town of Westerly, 45 Broad Street, Westerly, Rhode Island, 02891 Attn: Purchasing Agent. Failure of the owner to demand such certificate or other evidence of full compliance with these insurance requirements or failure of the owner to identify a deficiency from evidence provided will not be construed as a waiver of the contractor's obligation to maintain such insurance.
- B. **Insurer Qualification:** All insurance will be provided through companies authorized to do business in the State of Rhode Island and considered acceptable by the owner, with an A.M. Best Rating of A-/VIII.
- C. **Additional Insured:** To the extent commercially available at no additional cost, the policy or policies providing insurance as required, with the exception of professional liability and workers' compensation, will defend and include the owner and owner's architects, directors, officers, representatives, agents, and employees as additional insureds on a primary basis for work performed under or incidental to this contract.
- D. **Retroactive Date and Extended Reporting Period:** If any insurance required here is to be issued or renewed on a claims-made form as opposed to the occurrence form, the retroactive date for coverage will be no later than the commencement date of the project and will state that in the event of cancellation or nonrenewal, the discovery period for insurance claims (tail coverage) will be at least 36 months.
- E. **Subcontractors' Insurance:** The contractor will cause each subcontractor employed by contractor to purchase and maintain insurance of the types specified below. When requested by the owner, the contractor will furnish copies of certificates of insurance evidencing coverage for each subcontractor.
- F. **Waiver of Subrogation:** The contractor will require all insurance policies in any way related to the work and secured and maintained by the contractor to include clauses stating each underwriter will waive all rights of recovery, under subrogation and otherwise, against owner, architect, and all tiers of contractors or consultants engaged by them. The contractor will require of subcontractors, by appropriate written agreements, similar waivers each in favor of all parties enumerated in this section.
- G. **Indemnification/Hold Harmless:** The contractor shall indemnify, defend, and hold harmless the owner and, if applicable, the engineer and their agents and employees from and against all claims, damages, losses and expenses, including attorney's fees of counsel selected by the owner, arising out of or resulting from the performance of the work and /or the supplying of materials, provided that any such claim, damage, loss or expense (a) is attributable to bodily injury, sickness, disease or death, or to injury to or destruction of tangible property including the loss of use resulting therefrom, and (b) is caused in whole or in part by any negligent act or omission of the contractor, any subcontractor, anyone directly or indirectly employed by any of them or anyone for whose acts any of them may be liable, regardless of whether or not they are caused in part by a party indemnified hereunder.

II. Insurance Limits and Coverage:

- A. To the extent applicable, the amounts and types of insurance will conform to the minimum terms, conditions and coverages of Insurance Services Office (ISO) policies, forms, and endorsements.
- B. If the contractor has self-insured retention's or deductibles under any of the following minimum required coverage's, the contractor must identify on the certificate of insurance the nature and amount of such self-insured retention's or deductibles and provide satisfactory evidence of financial



TOWN OF WESTERLY / WESTERLY PUBLIC SCHOOLS



responsibility for such obligations. All self-insured retention's or deductibles will be the contractor's sole responsibility.

- C. Commercial General Liability: The contractor will maintain commercial general liability insurance covering all operations by or on behalf of the contractor on an occurrence basis against claims for personal injury (including bodily injury and death) and property damage (including loss of use). Such insurance will have these minimum limits:

Minimum Limits: \$1,000,000 each occurrence
\$2,000,000 each occurrence if blasting is required
\$2,000,000 general aggregate with dedicated limits per project site
\$2,000,000 products and completed operations aggregate
\$1,000,000 personal and advertising injury

Should blasting be required, all necessary permits for the use of explosives shall be obtained by the contractor or insured from the Fire Marshall.

Special hazards shall be covered if needed by endorsement to the Commercial Liability policy/policies as follows:

- 1) Property damage liability arising out of the collapse of or structural injury to any building or structure due to excavation (including burrowing, filling or backfilling in connection therewith), tunneling, pile driving, cofferdam work or caisson work; or to moving, shoring, underpinning, razing or demolition of any building or structure, or removal or rebuilding of any structural support thereof.
- 2) Property damage liability for injury to or destruction of property arising, directly or indirectly, from blasting or explosions however caused, other than explosions of air or steam vessels, piping under pressure, prime movers, machinery or power transmitting equipment.
- 3) Property damage liability for injury to or destruction of wires, conduits, pipes, mains, sewers or other similar property, or any apparatus in connection therewith, below the surface of the ground, arising from and during the sue of mechanical equipment for the purpose of excavating or drilling within project limits; injury to or destruction of property at any time resulting therefrom.

- D. Automobile Liability: The contractor will maintain business auto liability coverage for liability arising out of any auto, including owned, hired, and non-owned autos.

Minimum Limits: \$1,000,000 combined single limit each accident

- E. Workers' Compensation: The contractor will maintain workers' compensation and employer's liability insurance. Waiver of subrogation in favor of the Town of Westerly shall apply.

Minimum Limits: Workers' Compensation: statutory limit
Employer's Liability: \$500,000 bodily injury for each accident
\$500,000 bodily injury by disease for each employee
\$500,000 bodily injury disease aggregate

- F. Umbrella/Excess Liability: The contractor will maintain coverage applying over the underlying Commercial General Liability, Automobile Liability, Pollution Liability (where applicable), and Employer Liability section of the Workers Compensation coverage. **The Town of Westerly shall have the sole discretion in increasing or reducing the Umbrella/Excess Liability coverage requirements depending on the scope and/or size of the work to be performed by Contractor/Bidder.**

Minimum Limits: \$5,000,000 per occurrence/\$5,000,000 annual aggregate



TOWN OF WESTERLY / WESTERLY PUBLIC SCHOOLS



Coverage applies over the underlying Commercial General Liability, Automobile Liability, pollution liability (where applicable), and Employer Liability section of the Workers Compensation Coverage.

G. Professional Liability (for consultants, engineers, and other individuals/businesses providing professional services)

Each Claim/Wrongful Act:	\$1,000,000
Annual Aggregate	\$1,000,000

Town of Westerly/Westerly Schools reserves the right to amend amounts of coverage required and type of coverages provided based on work or service to be performed.

10. Labor Regulations

The following paragraphs regarding nondiscrimination in employment shall be included and become part of these Specifications:

- A. The Contract for Work under this proposal will obligate the contractor and subcontractors not to discriminate in employment practices and conform with Executive Order No. 11246.
- B. Bidders must, if required, submit a compliance report concerning their employment practices and policies in order to maintain their eligibility to receive award of the Contract.
- C. Successful bidders must, if required, submit a list of all subcontractors who will perform Work on the Project, and written signed statements from authorized agents of labor pools with which they will or may deal with for employees on the Work, together with any information to the effect that such labor pools practices or policies are in conformity with Executive Order No. 11246; that they will affirmatively cooperate in or offer no hindrance to the recruitment, employment, and equal treatment of employment, and equal treatment of employees seeking employment and performing Work under this Contract; or a certification as to when such agents or labor pools have failed or refused to furnish them, prior to award of the Contract.

11. Wage Rates (for on-site construction labor services)

Attention of the bidders is particularly called to the requirements as to conditions of employment to be observed and minimum wage rates to be paid under the Contract. In conformity with the provisions of Chapter 13 of Title 37, General Laws, Rhode Island, 1956, as amended, the minimum wages for a day's work paid to craftsmen, teamsters and laborers shall be not less than the customary and prevailing rate of wages for a day's work in the locality where the work is undertaken. Such a schedule of wages has been established on a minimum hourly basis and is in file in the office of the State Department of Labor. See Appendix B.

12. Compliance with Instructions to Bidders

These Instructions to Bidders contain terms and conditions that will govern the preparation and submission of a bid proposal and any contract awarded pursuant to this solicitation. Bidders must comply with each and every requirement of these Instructions to Bidders. Any failure to comply with any requirement may result in the determination of nonresponsive bid proposal and/or the rejection of the bid proposal.

13. Priority of Terms and Conditions

The terms and conditions in these Instructions to Bidders *supersede* any and all inconsistent or conflicting terms and conditions in any other provision of any other document in this solicitation or in the bid proposal and govern this solicitation, the bid proposal, and any contract awarded pursuant to this solicitation.



14. Public Copy

Bid proposals submitted in response to this solicitation are public records pursuant to the Rhode Island "Access to Public Records Act," R. I. Gen. Laws §§ 38-2-1 *et seq.* Each bid proposal must include a "public copy" to be available for public inspection upon the opening of bids. The public copy must be submitted in .pdf (portable document file) format on a **read-only** CD-R media disk or Flash Drive. The disk must include **all the documents** submitted in response to the solicitation concatenated or merged into one file.

The public copy disk must be separately enclosed in a protective cover clearly marked "Public Copy" and include the following information: (1) Solicitation Title; (2) name of bidder; (3) Solicitation Number; and (4) bid proposal submission deadline.

The .pdf file must be named in the following manner:

Solicitation Number Bid Proposal Submission Deadline_BidderName.pdf

Bidders may redact in the public copy any trade secrets or commercial or financial information which is of a privileged or confidential nature pursuant to the Access to Public Records Act. If a "hard" public copy is furnished at time of bid, the bidder may follow up with the disk copy before the end of the business Bid Due Date day. Bids may be opened publicly in Town Hall or Babcock School shortly after Bid receipt.

15. Binding Contract

A binding contract between the Town of Westerly/Westerly Schools and the successful bidder will be formed by the issuance of the Westerly Standard Agreement from the Purchasing Department, *and only by the issuance of a Purchase Order for billing purposes, and only to the extent of available funds.* The binding contract will incorporate and be subject to the terms and conditions of the solicitation, including the Invitation to Bid, the Instructions to Bidders, the Request for Quote, the Bidder Certification Form, the Agreement (if applicable to this solicitation), and the Purchase Order. The successful bidder shall be authorized to commence work only upon the issuance of the Notice to Proceed or Contract and, in addition, an authorization from the department.

16. DISCLAIMER

- a. The Town reserves the right to amend, cancel or withdraw the Request for Proposal at any time if it is deemed in the best interests of the Town to do so. The Town reserves the right to reject any, or any part of, or all proposals, to waive informalities and technicalities, and to accept that bid proposal which the Town deems to be in the best interest of the Town, whether or not it is the lowest dollar bid.
- b. The Town is not responsible for any costs/expenses incurred by anyone submitting a proposal for this project. Costs/expenses are the sole responsibility of the parties submitting proposals.
- c. All proposals submitted, and information included therein or attached thereto shall become public records upon their delivery to the Town. All documents created by the respondent during the completion of their contract requirements shall become the property of the Town, including any databases and information systems that are created.
- d. The information contained in this RFQ and attachments, hereto, and any addendum that may be issued, are provided to assist prospective Bidders in the preparation of proposals. The information has been obtained from sources thought to be reliable,



TOWN OF WESTERLY / WESTERLY PUBLIC SCHOOLS



but the Town and its elected officials, officers, employees, agents and contractors, are not liable for the accuracy of the information or its use by prospective Bidders.

17. Background Investigation Check for Construction Contractors and Sub-Contractors

Prior to the start of work on any Westerly Public Schools site, all construction contractors and other vendors supporting construction projects including but not limited to construction managers, company owners, architects, engineers, specialty contractors, subcontractors and personnel for the same shall be subject to national and state criminal background checks to determine suitability for performing work at a Westerly Public Schools site. No personnel shall work at a Westerly Public Schools construction site that has been identified as a sexual predator, convicted of a serious offense or convicted of a crime in the last three years.

The contractor or vendors supporting construction projects shall screen all personnel on the national and state level and/or other appropriate sexual predator database. Contractors and sub-contractors must conduct a sexual predator screening of all personnel. All personnel are required to wear badges with a picture, employees name and name of contractor.

Contractors and other vendors supporting construction projects shall be required to complete the background check and to pay the processing and maintenance fee required for all the appropriate background checks. **Contractors should not expect these background checks to be completed by the Westerly Police Department.** Failure to meet policy requirements may result in a stop work order and/or revocation of the contract.



TOWN OF WESTERLY/WESTERLY PUBLIC SCHOOLS
CONTRACT AGREEMENT

THIS AGREEMENT is made this ___ day of ___, by and between TOWN OF WESTERLY/WESTERLY PUBLIC SCHOOLS, ("TOWN") and the party identified below as CONTRACTOR and effective as of the ___ day of 2018,

CONTRACT/P.O. NUMBER: SAMPLE

PROJECT NAME:

RFQ No.

Table with 2 columns: CONTRACTOR information and TOWN OF WESTERLY/WESTERLY PUBLIC SCHOOLS information (address, representative contact info).

ARTICLE 1: ENGAGEMENT:

- 1.1 TOWN hereby engages and CONTRACTOR hereby accepts the engagement to perform and provide the Work set forth in Exhibit A hereof and incorporated herein, in accordance with the terms and conditions of this CONTRACT.
1.2 CONTRACTOR shall perform the Work as an independent Contractor with exclusive control of the manner and means of performing the Work in accordance with the requirements of this CONTRACT.
1.3 This CONTRACT shall be construed and governed by the laws of the State of Rhode Island.
1.4 Prior to commencement of the Work, CONTRACTOR shall provide, and maintain in full force and effect during the term of this CONTRACT, the insurance coverage upon CONTRACTOR's operations hereunder as specified in the Exhibit C.

ARTICLE 2: TIME OF PERFORMANCE:

- 2.1 CONTRACTOR shall prosecute and complete all Work under the CONTRACT in accordance with the schedule in Exhibit A.

ARTICLE 3: COMPENSATION/TERMS OF PAYMENT:

- 3.1 As full consideration for the complete, satisfactory and timely performance by CONTRACTOR of the Work contemplated by this CONTRACT in strict accordance with the requirements hereof, TOWN shall pay to CONTRACTOR the amount as agreed upon in Exhibit A and in accordance with the payment terms and conditions established by the CONTRACT Documents.

ARTICLE 4 : CONTRACT DOCUMENTS :

- 4.1 This CONTRACT shall consist of the following documents ("CONTRACT Documents") which are acknowledged by CONTRACTOR and incorporated herein by this reference:

- SCOPE OF WORK EXHIBIT A Pages 1 through 2
GENERAL CONDITIONS EXHIBIT B Pages 1 through 2
INSURANCE REQUIREMENTS EXHIBIT C Pages 1 through 2

- 4.2 The documents referenced in sections 4.1 and 4.2 constitute the entire CONTRACT between TOWN and CONTRACTOR and supersede all prior and contemporaneous negotiations, statements, representations, agreements, letters of intent, awards, or proposals, either written or oral. This CONTRACT may be modified only by a written instrument signed by both parties.



TOWN OF WESTERLY / WESTERLY PUBLIC SCHOOLS



4.3 In the event of any inconsistency between the provisions of the CONTRACT Documents, the inconsistency shall be resolved by giving precedence in the order listed below.

4.4.1 CONTRACT Agreement

4.4.2 Exhibit D, General Conditions

4.4.3 Exhibit A, Scope of Work, Schedule of Services & Payments, including all Attachments.

4.4.4 _____

4.4 The Effective Date set forth on this page of this CONTRACT shall be the date as which all CONTRACT Documents and provisions thereof have reference for purposes of coordination of their meaning and effect. The price relates to the Work as described in the Contract Document in their condition on that date. Changes after the Effective Date will be dealt with in accordance with the provisions for changes. Any work commenced and any payments made pursuant to an Award or Letter of Intent shall be deemed to have been done and paid after the Effective Date and under the terms of this CONTRACT.

Performance & Payment Bonds: Yes: No:

The CONTRACTOR shall furnish, within twenty (20) calendar days after the date of notice of award of contract by the TOWN, Performance and Payment Bonds in the amount of 100% of the Bid amount covering the faithful performance of the contract. The Performance Bond is to be secured through an insurance company or companies which is licensed in the State of Rhode Island or which is approved by the TOWN. The Bond will remain in effect throughout the warranty period.

TOTAL PAGES ATTACHED (INCLUDING EXHIBITS): 8

IN WITNESS, WHEREOF, the duly authorized representatives of the parties have executed this Agreement as of the date and year first above written.

**THE TOWN OF WESTERLY/
WESTERLY PUBLIC SCHOOLS**

CONTRACTOR

By: _____
(Signature)

By: _____
(Signature)

Name: Mark Bednarski
(Print)

Name: _____
(Print)

Title: Purchasing/Risk Manager
(Print)

Title: _____
(Print)

Date: _____

Date: _____

TOWN MANAGER

By: _____

Name: _____

Date: _____



TOWN OF WESTERLY / WESTERLY PUBLIC SCHOOLS



SCOPE OF WORK, SCHEDULE OF SERVICES & PAYMET - EXHIBIT A

Article 1: SCOPE OF WORK

1.1 *Description:* Except as otherwise expressly provided herein, CONTRACTOR shall provide each and every item of cost and expense necessary for:

1.1.1 ENTER GENERAL SCOPE TITLE

1.2 *Specific Elements:* The Work shall include but shall not necessarily be limited to, the following:

1.2.1 ENTER DETAILED SCOPE DESCRIPTION

1.3 The Work shall not include:

1.3.1 ENTER WORK NOT INCLUDED OR MARK AS N/A....

Article 2: PERFORMANCE PERIOD/SCHEDULE

2.1 Term: *CONTRACTOR shall commence the Work on XXXXXX 1, 201X, and shall prosecute the Work diligently and shall complete all Work not later than XXXXX 1 201X. Milestones: Specific scheduling milestones and coordination requirements are as follows:*

2.1.1

2.2 Time of Essence: Time is of the essence in the performance of this Work. CONTRACTOR shall make whatever adjustments in working hours, manpower, equipment, etc. deemed necessary to complete the Work in accordance with the term of the CONTRACT and the specific schedule requirements hereof.

2.3 Construction Schedule: Specific scheduling and coordination requirements are as follows:

2.3.1 CONTRACTOR shall prepare and submit to TOWN a Construction Schedule for review and acceptance on or before the 10th day after execution of this CONTRACT. The schedule shall be in conformance with the CONTRACT Documents and shall be in sufficient detail to be used as a basis to track the progress of the Work. TOWN and CONTRACTOR will review the proposed schedule. Any revisions resulting from this review shall be resubmitted to TOWN within 7 days.

2.3.2 CONTRACTOR shall also provide at the same time as the proposed Construction Schedule, a Schedule of Values of the Work upon which payments will be measured. The Schedule of Values will include quantities and proposed billing amounts of items aggregating the total CONTRACT price and will subdivide the Work into component parts in sufficient detail to serve as the basis for progress payments during construction.

2.3.3 CONTRACTOR, in conjunction with TOWN's Project Manager, shall update the schedule at 2 week, or other intervals requested by TOWN

Article 3: REPORTING REQUIREMENTS

3.1 Progress Report: CONTRACTOR shall submit a monthly progress report comparing actual progress to planned progress and shall attend periodic progress review meetings.

Article 4: DATA REQUIREMENTS

4.1 Submittals:

4.1.1 CONTRACTOR shall prepare shop drawings, supply catalog cuts and provide all other pertinent literature for CONTRACTOR furnished materials and equipment. CONTRACTOR shall submit one (1) reproducible original and three (3) copies of this data to TOWN for review prior to any purchase or fabrication. If shop drawings show any deviation from the Work requirements, CONTRACTOR shall make specific mention of the deviations in its letter of transmittal.

Article 5: TOWN FURNISHED ITEMS

5.1 TOWN shall furnish and deliver, or cause to be delivered, to the Jobsite the following equipment, goods or material:



TOWN OF WESTERLY / WESTERLY PUBLIC SCHOOLS



5.1.1

- 5.2 CONTRACTOR shall be responsible for receiving, unloading, unpacking, inspecting, verifying receipt, maintaining, protecting, and installing TOWN furnished items.

Article 6:

CONTRACT PRICE

- 6.1 TOWN agrees to pay CONTRACTOR for complete, satisfactory and timely performance of the Work, in strict accordance with the requirements hereof, the firm fixed price of \$ **\$0.00**.

INVOICES

- 6.2 CONTRACTOR's invoices must be submitted to TOWN for approval.
- 6.2.1 CONTRACTOR's invoices shall:
- 6.2.1 Reference the job name.
 - 6.2.2 Reflect the CONTRACT Number/Purchase Order Number.
 - 6.2.3 Be accompanied by other supporting documentation as TOWN may reasonably require.

PAYMENT SCHEDULE

- 6.3 Based upon invoices submitted by the CONTRACTOR in full conformity with the requirements of the contract and approved by the TOWN, the TOWN may make progress payments to the CONTRACT Price to the CONTRACTOR. The period covered by each invoice shall be the calendar month immediately preceding the invoice date and shall be based upon the most recent Schedule of Values.
- 6.4 Final payment, constituting the entire unpaid balance of the CONTRACT Price, shall be made by the TOWN to the CONTRACTOR, when the Work is fully performed in accordance with the requirements of the CONTRACT Documents, IF APPLICABLE and delivery of the following items to the TOWN:
- 6.4.1 Operation and maintenance manuals
 - 6.4.2 Written warranties for equipment provided
 - 6.4.3 As built drawings
 - 6.4.4 Consent of surety to final payment
 - 6.4.5 Applicable permits and certificates of inspection
- 6.5 If TOWN determines that the Work is substantially complete and that the amount of retained percentages is in excess of the amount considered by TOWN to be adequate for the protection of TOWN, TOWN may, at TOWN's sole discretion, release to the CONTRACTOR such excess amounts. Subject to the other terms and conditions of this CONTRACT, upon satisfactory completion of the Work hereunder, and its final acceptance, the CONTRACTOR will be paid the undisputed unpaid balance of any money due hereunder.



GENERAL CONDITIONS - EXHIBIT B

These General Conditions are a part of each CONTRACT between TOWN/SCHOOLS and its CONTRACTOR for the performance of the Work identified in the CONTRACT.

Article 1: CONTRACTOR'S OBLIGATIONS

1.1 CONTRACTOR is responsible for obtaining and confirming all measurements and taking all other actions necessary for the technical accuracy, quality and timely completion of the Work in full conformity with all laws, regulations, codes and ordinances and with the CONTRACT Documents. In addition, to ensure that his employees are instructed with respect to special regulations, policies, and procedures in effect for any TOWN facility or site, and that they comply with such rules.

1.2 CONTRACTOR shall prosecute the Work diligently with sufficient numbers of qualified personnel, equipment, materials and supplies to accomplish the Work and maintain the schedule or restore the schedule. CONTRACTOR shall provide TOWN with a detailed schedule of performance and shall update the schedule as the Work progresses. TOWN shall determine the normal hours of performance. Any special or differing hours shall be subject to the prior written approval of TOWN. TOWN shall have access always to the locations where Work is performed and to all of drawings, data specifications, calculations, documents, test results and specimens, models and other things related to the Work.

1.3 CONTRACTOR shall furnish and be responsible for the ordering and payment of all supervision, labor, supplies, materials, utilities, tools, equipment, facilities, storage, permits, inspections, licenses and all other things necessary or desirable to accomplish the Work except as specified, in the CONTRACT Documents, to be supplied by TOWN.

1.4 CONTRACTOR is solely responsible for the payment of, and shall require its lower tier CONTRACTORS to pay, all assessments benefits, and insurance premiums in connection with the Work.

1.5 CONTRACTOR is responsible for the health and safety of its employees and the employees of its lower tier CONTRACTORS. CONTRACTOR shall comply with all safety programs, practices or procedures, if any, established, recommended or required by TOWN, any governmental or quasi-governmental authorities. Compliance with any same shall not relieve CONTRACTOR of its responsibility described in the first sentence of this section.

1.6 CONTRACTOR shall be responsible for the security of the Work and shall take all reasonable precautions to prevent theft, loss and waste at the Jobsite.

1.7 CONTRACTOR shall always keep the premises and the vicinity of the Work free and clean of all debris and rubbish. If CONTRACTOR fails to commence cleanup within 24 hours of notice from TOWN of non-compliance, TOWN may commence cleanup without further notice to CONTRACTOR and deduct the cost of same from any amount due or to be due CONTRACTOR.

1.8 The CONTRACTOR shall be responsible to perform all work to cause the least inconvenience to the TOWN, and with proper consideration for the rights of other contractors and workmen. The CONTRACTOR shall be responsible for the resolution of all disputes between itself and other trades on the Site and shall be responsible for any cost, expense or delay resulting there from.

Article 2: COMMUNICATIONS & NOTICES

2.1 All of CONTRACTOR's correspondence or communication regarding this CONTRACT shall include TOWN's CONTRACT Number and Work Description, and shall be mailed or delivered to TOWN's Designated Representative.

2.2 Notices of changes, deficiencies, delays, claims or disputes shall be in writing delivered within 3 business days of occurrence or discovery of same, and shall furnish full information to the extent available. The party notified will acknowledge receipt by endorsement of a copy if requested or will otherwise confirm receipt in writing. Sufficient Notice shall be deemed to have been given if made by express courier or mailing via Registered or Certified Mail postage prepaid to the address shown on page 1 of this CONTRACT.

2.3 CONTRACTOR shall not use or release any advertisement, notice or publicity depicting or describing the Work, TOWN at any time, whether before, during or after completion of the Work, without the express prior written consent of the TOWN. No signs (except reasonably necessary warnings) shall be placed upon the Jobsite without TOWN's express prior written approval.

Article 3: CHANGES

3.1 TOWN may from time to time, by written order, and without notice to any surety and without invalidating this CONTRACT, or any portion thereof, make changes in the Work, or the conditions under which it is to be performed, or may increase or decrease the services to be performed. The CONTRACTOR shall not make changes in the Work or its manner of performance without prior written authorization from TOWN. If such changes increase or decrease either the cost or time required to perform the Work set forth in this CONTRACT, then the parties will mutually agree upon an equitable adjustment to the price and/or the time to perform the Work under this CONTRACT. Any such modification to this CONTRACT shall be in writing, shall define the extent of the change, the price or basis of pricing the change, the impact of the change on the schedule, and shall be signed by both parties. CONTRACTOR acknowledges and agrees that it waives all right or claim for compensation for any additional or other work not specifically authorized in writing by TOWN's Designated Representative prior to the commencement of such work.

Article 4: DOCUMENTS

4.1 CONTRACTOR warrants that it has examined and reviewed the CONTRACT Documents and all other documents, schedules, drawings and data applicable to the Work and that CONTRACTOR is thoroughly familiar with the intent, scope and extent of the Work. Should any errors, omissions, defects or inconsistencies appear in such documents, CONTRACTOR shall notify TOWN within 3 business days of discovery and shall not proceed with the affected Work portion until it has brought same to the attention of TOWN and received a written interpretation or instruction from TOWN.

Article 5: INDEMNITY

5.1 The Contractor guarantees:

a. To save the TOWN, its agents and employees, harmless from any liability imposed upon the TOWN arising from the negligence, either active or passive, of the contractor, as well as for the use of any copyrighted or non-copyrighted composition, secret process, patented or unpatented invention, article or appliance furnished or used in the performance of the contract of which the contractor is not the patentee, assignee or licensee.

b. To pay for all permits, licenses and fees and give all notices and comply with all laws, ordinances, rules and regulations of the town and State of Rhode Island.



TOWN OF WESTERLY / WESTERLY PUBLIC SCHOOLS



c. That the equipment offered is standard new equipment, latest model of regular stock product with all parts regularly used with the type of equipment offered; also, that no attachment or part has been substituted or applied contrary to manufacturer's recommendations and standard practice.

Article 6: SUSPENSION OF PERFORMANCE

6.1 TOWN may require CONTRACTOR to suspend performance hereunder completely or partially for whatever length of time TOWN may elect. The time for completion shall be extended by a period equal to such suspension. TOWN shall not be liable for any damages, be they direct, consequential or otherwise, suffered by CONTRACTOR due to delays and suspensions. CONTRACTOR shall be obligated to proceed with the work notwithstanding a dispute on reimbursement; such action shall not prejudice either party's claim with respect to reimbursement.

Article 7: TERMINATION

7.1 TOWN may terminate this CONTRACT, in whole or in part, at any time, with or without cause and without serving prior notice. If this CONTRACT is so terminated, CONTRACTOR shall be paid for all services performed to the date of termination including, in the event the termination is not for cause, all reasonable termination expenses, but shall not be paid for Work not performed by CONTRACTOR. Any progress payments made to CONTRACTOR shall be credited toward any termination payment due. Such termination payment will constitute CONTRACTOR's full compensation to which it is entitled under this CONTRACT and CONTRACTOR waives any claim for damages, including loss of anticipated profits, arising out of such termination.

7.2 Upon receipt of a termination notice, CONTRACTOR shall: (a) promptly discontinue all services to the extent directed; (b) take reasonable precautions to protect the Work in process; and (c) deliver or otherwise make available to TOWN all data, drawings, calculations, reports and all other information and materials which have been accumulated or developed by CONTRACTOR in performing this CONTRACT, whether completed or in progress.

7.3 In the event of any termination for cause, TOWN shall be entitled to offset against any monies owed to CONTRACTOR all additional costs, expenses or charges incurred or paid by TOWN in connection with or arising out of such termination. If such additional amounts exceed the monies owed CONTRACTOR, CONTRACTOR agrees to pay to TOWN, within seven (7) days of demand, any such excess

7.4 In the event of any termination for cause, TOWN shall be entitled to take and use any materials, equipment, supplies or tools furnished by, or belonging to the CONTRACTOR located at the Jobsite.

Article 8: DISPUTES

8.1 All questions arising under this Agreement shall be resolved in the first instance by TOWN's Project Manager. No claim for additional compensation or extension of time shall be considered unless presented to TOWN's Project Manager in writing within ten (10) calendar days after the occurrence giving rise to the dispute. Any claim not satisfactorily resolved by TOWN's Project Manager in the first instance, and which is presented in writing within the time provided, may be appealed by notice in writing to TOWN's Designated Representative within ten (10) calendar days after the Project Manager's initial decision.

8.2 All claims, disputes and other matters in question which are left unresolved after compliance with the foregoing, arising out of or relating to this CONTRACT or the breach thereof, except for claims which have been waived by the making or acceptance of final payment, may be litigated before any court of competent jurisdiction.

8.3 The CONTRACTOR shall carry on the Work and maintain the project schedule during any dispute proceedings, unless otherwise instructed by TOWN.

Article 9: ASSIGNMENT & CONTRACTS

9.1 CONTRACTOR's duties and obligations hereunder are personal and shall not be assignable or delegable by it in any manner. CONTRACTOR's rights and interest hereunder may not be assigned, pledged or otherwise encumbered without the prior written consent of TOWN.

9.2 CONTRACTOR shall not further CONTRACT any portion of the Work without TOWN's prior written consent. In any event, any Contracting by CONTRACTOR shall in no event relieve CONTRACTOR of its responsibilities, obligations or guaranties for such Contracted portions of the Work or anything arising out of such Contracting.

Article 10: PARTIAL USE OR OCCUPANCY

10.1 TOWN may use and occupy any portion of the Work. Such partial use or occupancy shall not imply an acceptance by TOWN of that or any other portion of the Work and shall not relieve CONTRACTOR of the obligation to complete all of the Work strictly in accordance with the CONTRACT.

Article 11: EQUAL OPPORTUNITY COMPLIANCE, HANDICAPPED ACCESS AND AFFIRMATIVE ACTION

11.1 Contractors of the State are required to demonstrate the same commitment to equal opportunity as prevails under federal contracts controlled by Federal Executive Orders 11246, 11625, 11375 and 11830, and Title 28 Chapter 5.1 of the General Laws of Rhode Island. Affirmative action plans shall be submitted by the contractor for review by the State Equal Opportunity Office. A contractor's failure to abide by the rules, regulations, contract terms and compliance reporting provisions as established shall be grounds for forfeiture and penalties as shall be established, including but not limited to suspension.

Article 12: WARRANTY

12.1 CONTRACTOR warrants that all materials, equipment and workmanship furnished by CONTRACTOR shall be new, merchantable and fit for the purposes intended by the CONTRACT and shall comply in all respects with the CONTRACT Documents and shall be free of defects for a period of one (1) year from the date of acceptance of the Work or such longer period required in the CONTRACT Documents and the TOWN may, in the event of failure, order its replacement, repair, or return for full credit, at its sole option.

Article 13: INSURANCE

13.1 CONTRACTOR shall provide and maintain the insurance required by Exhibit C.

Article 14: HEADINGS AND SEVERABILITY

14.1 The headings in the CONTRACT, Exhibits and attachments thereto are for quick reference only and are not to be construed as a part of this CONTRACT.

14.2 If any provision of this CONTRACT is determined to be invalid under any applicable law, such decision shall not affect the remaining portion, which remaining portion shall continue in full force and effect as if it had been executed with the invalid portion eliminated.

Article 15: HAZARDOUS MATERIALS



TOWN OF WESTERLY / WESTERLY PUBLIC SCHOOLS



15.1 A Hazardous Material is any substance or material identified now or in the future as hazardous under any federal, state or local law or regulation, or which is subject to statutory or regulatory requirements governing its handling, disposal or remediation. CONTRACTOR shall have the same obligations with respect to such Hazardous Materials within the scope of the Work as TOWN may have under the CONTRACT Documents or by law.

Article 16: FOREIGN CORPORATIONS

16.1 In accordance with Title 7 Chapter 1.1 of the General Laws of Rhode Island, no foreign corporation shall have the right to transact business in this state until it shall have procured a certificate of authority so to do from the Secretary of State.

Article 17: COLLUSION

17.1 Contractor warrants that he has not, directly or indirectly, entered any agree participated in any collusion or otherwise taken any action in restraint of full competitive bidding. In special circumstances, an executed affidavit will be required as a part of the contract.

Article 18: PROHIBITION AGAINST CONTINGENT FEES AND GRATUITIES

18.1 Contractor warrants that he has not paid, and agrees not to pay, any bonus, commission, fee, or gratuity to any employee or official of the Town for obtaining any contract or award issued by the Town. Contractor further warrants that no commission or other payment has been or will be received from or paid to any third-party contingent on the award of any contract by the Town, except as shall have been expressly communicated to the Town Purchasing Agent in writing prior to acceptance of the contract or award in question. Subsequent discovery by the Town of non-compliance with these provisions shall constitute sufficient cause for immediate termination of all outstanding contracts and suspension or debarment of the bidder(s) or contractor(s) involved.

Article 19: PREVAILING WAGE REQUIREMENT

19.1 In accordance with Title 37 Chapter 13 of the General Laws of Rhode Island, payment of the general prevailing rate of per diem wages and the general prevailing rate for regular, overtime and other working conditions existing in the locality for each craft, mechanic, teamster, or type of workman needed to execute this work is a requirement for both contractors and subcontractors for all public works.

Article 20: FORCE MAJEURE

20.1 All orders shall be filled by the CONTRACTOR with reasonable promptness, but the CONTRACTOR shall not be held responsible for any losses resulting if the fulfillment of the terms of the contract shall be delayed or prevented by wars, acts of public enemies, strikes, fires, floods, acts of God, or for any other acts not within the control of the CONTRACTOR and which by the exercise of reasonable diligence, the CONTRACTOR is unable to prevent.

Article 21: PRICING/FREIGHT

21.1 All pricing offered or extended to the TOWN is firm and fixed unless expressly provided for to the contrary. All prices shall be F.O.B. Destination with freight costs included.

Article 22: SAFETY/COMPLIANCE WITH LAWS

22.1 Supplier shall comply with all applicable federal, state, provincial and local laws, executive orders, rules and regulations during performance of this order, including but not limited to the Occupational Safety and Health Act of 1970, as amended ("OSHA"), Workplace Hazardous Materials Information System ("WHIMIS"), Toxic Substances Control Act as amended ("TSCA") Resource Conservation and Recover Act at 1976, as amended ("RCRA"), Clean Air Act of 1990, as amended, and Fair Labor Standards Act of 1938, as amended ("FLSA"). Supplier warrants that (1) all items sold or furnished under this order, including any packaging and labeling, will conform to and comply with OSHA standards and regulations, (ii) such items have been manufactured or furnished in accordance with the FLSA and regulations issued thereunder, and (iii) for each chemical product or product containing a chemical substance purchased under this order, Supplier shall furnish THE TOWN OF WESTERLY/WESTERLY PUBIC SCHOOLS a Material Safety Data Sheet ("MSDS") in conformance with applicable OSHA, WHIMIS, state, provincial and local requirements, unless a current MSDS has previously been submitted by Supplier to THE TOWN OF WESTERLY/WESTERLY PUBIC SCHOOLS.

EXHIBIT C - INSURANCE SPECIFICATIONS

Standard Insurance and Indemnification Requirements

General Conditions: Within ten (10) business days of the award or notice, or prior to the start of work, whichever comes first, the contractor will provide, pay for, and maintain in full force and affect the insurance outlined here for coverage's at not less than the prescribed minimum limits of liability. Such coverage is to remain in force during the life of the contract and for such additional time as may be required, and will cover the contractor's activities, those of any and all subcontractors, or anyone directly or indirectly employed by any of them, or by anyone for whose acts any of them may be liable.

- H. Certificates of Insurance: The contractor will give the Town/Schools a certificate of insurance completed by a duly authorized representative of their insurer certifying that at least the minimum coverage's required here are in effect and specifying that the liability coverage's are written on an occurrence form and that the coverage's will not be canceled, non-renewed, or materially changed by endorsement or through issuance of other policy(ies) of insurance without thirty (30) days advance written notice to: Town of Westerly, 45 Broad Street, Westerly, Rhode Island, 02891 Attn: Purchasing Agent. Failure of the Town/Schools to demand such certificate or other evidence of full compliance with these insurance requirements or failure of the Town/Schools to identify a deficiency from evidence provided will not be construed as a waiver of the contractor's obligation to maintain such insurance.
- I. Insurer Qualification: All insurance will be provided through companies authorized to do business in the State of



TOWN OF WESTERLY / WESTERLY PUBLIC SCHOOLS



Rhode Island and considered acceptable by the owner, with an A.M. Best Rating of A-/VIII.

- J. Additional Insured: To the extent commercially available at no additional cost, the policy or policies providing insurance as required, with the exception of professional liability and workers' compensation, will defend and include the Town/Schools directors, officers, representatives, agents, and employees as additional insureds on a primary basis for work performed under or incidental to this contract.
- K. Retroactive Date and Extended Reporting Period: If any insurance required here is to be issued or renewed on a claims-made form as opposed to the occurrence form, the retroactive date for coverage will be no later than the commencement date of the project and will state that in the event of cancellation or nonrenewal, the discovery period for insurance claims (tail coverage) will be at least 36 months.
- L. Subcontractors' Insurance: The contractor will cause each subcontractor employed by contractor to purchase and maintain insurance of the types specified below. When requested by the owner, the contractor will furnish copies of certificates of insurance evidencing coverage for each subcontractor.
- M. Waiver of Subrogation: The contractor will require all insurance policies in any way related to the work and secured and maintained by the contractor to include clauses stating each underwriter will waive all rights of recovery, under subrogation and otherwise, against Town/Schools, and all tiers of contractors or consultants engaged by them. The contractor will require of subcontractors, by appropriate written agreements, similar waivers each in favor of all parties enumerated in this section.
- N. Indemnification/Hold Harmless: The contractor shall indemnify, defend, and hold harmless the Town/Schools and, if applicable, their agents and employees from and against all claims, damages, losses and expenses, including attorney's fees of counsel selected by the Town/Schools, arising out of or resulting from the performance of the work and /or the supplying of materials, provided that any such claim, damage, loss or expense (a) is attributable to bodily injury, sickness, disease or death, or to injury to or destruction of tangible property including the loss of use resulting therefrom, and (b) is caused in whole or in part by any negligent act or omission of the contractor, any subcontractor, anyone directly or indirectly employed by any of them or anyone for whose acts any of them may be liable, regardless of whether or not they are caused in part by a party indemnified hereunder.

II. Insurance Limits and Coverage:

- H. To the extent applicable, the amounts and types of insurance will conform to the minimum terms, conditions and coverages of Insurance Services Office (ISO) policies, forms, and endorsements.
- I. If the contractor has self-insured retention's or deductibles under any of the following minimum required coverage's, the contractor must identify on the certificate of insurance the nature and amount of such self-insured retention's or deductibles and provide satisfactory evidence of financial responsibility for such obligations. All self-insured retention's or deductibles will be the contractor's sole responsibility.
- J. Commercial General Liability: The contractor will maintain commercial general liability insurance covering all operations by or on behalf of the contractor on an occurrence basis against claims for personal injury (including bodily injury and death) and property damage (including loss of use). Such insurance will have these minimum limits:

Minimum Limits:	\$1,000,000 each occurrence
	\$2,000,000 each occurrence if blasting is required
	\$2,000,000 general aggregate with dedicated limits per project site
	\$2,000,000 products and completed operations aggregate
	\$1,000,000 personal and advertising injury

Should blasting be required, all necessary permits for the use of explosives shall be obtained by the contractor or insured from the Fire Marshall.

Special hazards shall be covered if needed by endorsement to the Commercial Liability policy/policies as follows:

- 4) Property damage liability arising out of the collapse of or structural injury to any building or structure due to excavation (including burrowing, filling or backfilling in connection therewith), tunneling, pile driving, cofferdam work or caisson work; or to moving, shoring, underpinning, razing or demolition of any building or structure, or removal or rebuilding of any structural support thereof.
- 5) Property damage liability for injury to or destruction of property arising, directly or indirectly, from blasting or explosions however caused, other than explosions of air or steam vessels, piping under pressure, prime movers, machinery or power transmitting equipment.
- 6) Property damage liability for injury to or destruction of wires, conduits, pipes, mains, sewers or other



TOWN OF WESTERLY / WESTERLY PUBLIC SCHOOLS



similar property, or any apparatus in connection therewith, below the surface of the ground, arising from and during the use of mechanical equipment for the purpose of excavating or drilling within project limits; injury to or destruction of property at any time resulting therefrom.

- K. Automobile Liability: The contractor will maintain business auto liability coverage for liability arising out of any auto, including owned, hired, and non-owned autos.

Minimum Limits: \$1,000,000 combined single limit each accident

- L. Workers' Compensation: The contractor will maintain workers' compensation and employer's liability insurance. Waiver of subrogation in favor of the Town of Westerly shall apply.

Minimum Limits: Workers' Compensation: statutory limit
Employer's Liability: \$500,000 bodily injury for each accident
\$500,000 bodily injury by disease for each employee
\$500,000 bodily injury disease aggregate

- M. Umbrella/Excess Liability: The contractor will maintain coverage applying over the underlying Commercial General Liability, Automobile Liability, Pollution Liability (where applicable), and Employer Liability section of the Workers Compensation coverage. **The Town of Westerly shall have the sole discretion in increasing or reducing the Umbrella/Excess Liability coverage requirements depending on the scope and/or size of the work to be performed by Contractor/Bidder.**

Minimum Limits: \$5,000,000 per occurrence/\$5,000,000 annual aggregate